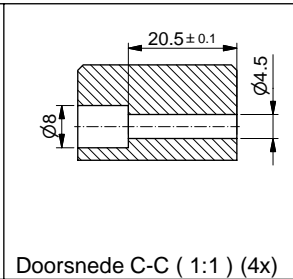
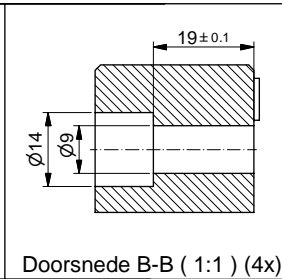
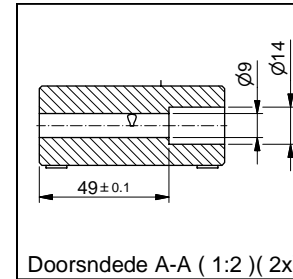
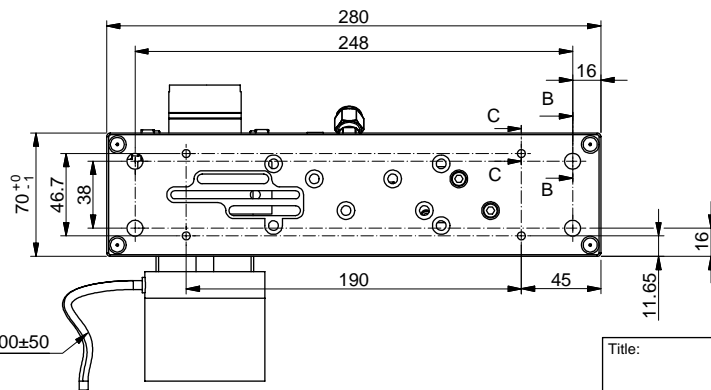


| Pump type | Dimension C | Dimension D |
|-----------|-------------|-------------|
| .11 & .19 | 3.20        | 155.80      |
| .23 & .38 | 6.40        | 158.90      |
| 0.57      | 9.50        | 162.20      |
| .68 & .80 | 11.40       | 164.20      |
| .99 & 1.2 | 16.70       | 169.40      |
| 1.30      | 19.00       | 171.80      |
| 1.6 & 2.0 | 22.90       | 175.50      |
| 2.30      | 25.40       | 178.00      |

For bus applications height H= max. 18mm  
Please note that the height increases when a contra connector is used.

Check document 7.15.117 for dimension A.  
Check document 7.05.672 for dimension B.  
Dimensions subject to change without notice.



Doorsnede A-A ( 1:2 ) ( 2x)    Doorsnede B-B ( 1:1 ) ( 4x)    Doorsnede C-C ( 1:1 ) ( 4x)

Tolerances ± 0.2 unless otherwise mentioned

|                          |  |                                   |   |            |    |
|--------------------------|--|-----------------------------------|---|------------|----|
|                          | Title: Dimensional drawing<br>M1x with Tuthill pump          | Drawer : M.B.<br>Date: 02-06-2010 | Revision Description:<br>PRELIMINARY<br>Title changed |            |    |
|                          | Projection:<br><br>Third Angle<br>Dimensions:<br>Metric (mm) | Checked :<br>Date: 23-06-2011     | Rev. by: M.B.   | Scale: 1:3 | A3 |
| Drawing no.: 2010060201C |  | Rev.: C                           | Page: 01-01   |            |    |