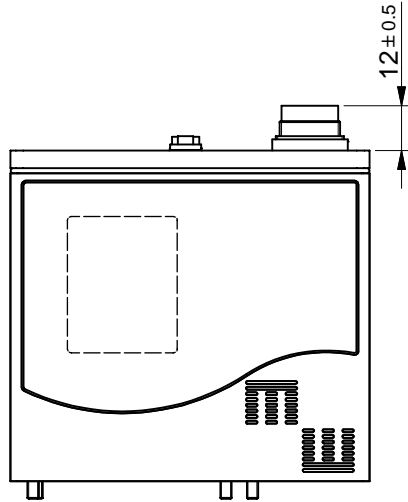
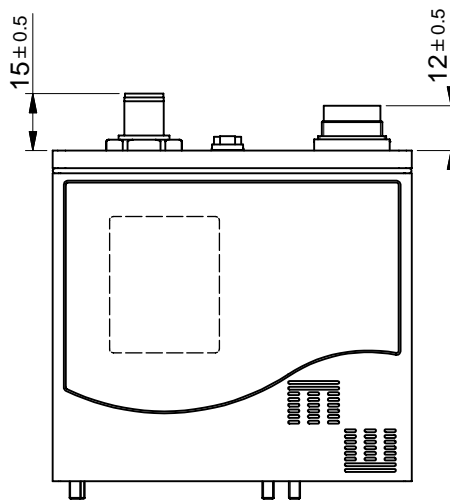


One of these digital case assemblies replaces the case assembly as drawn in the dimensional drawing.
Please note that the height increases when a connector is used.

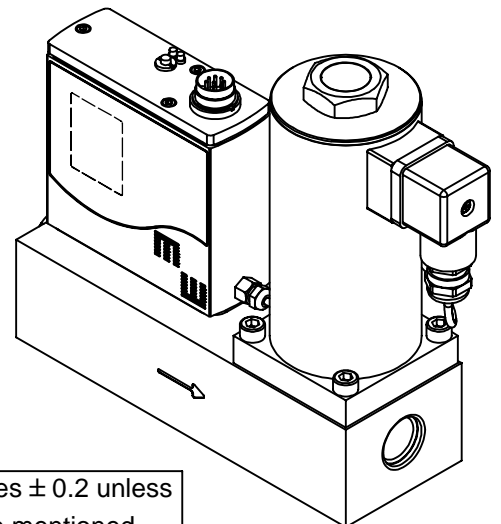
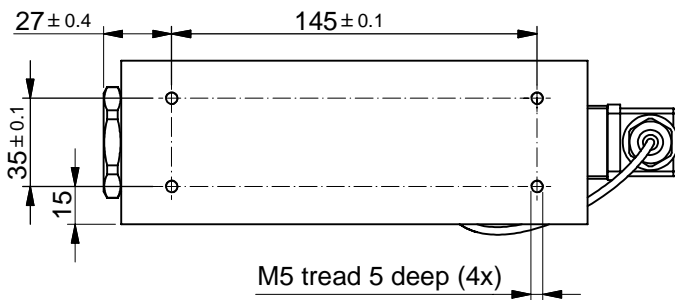
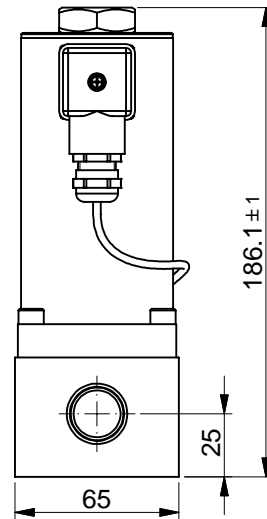
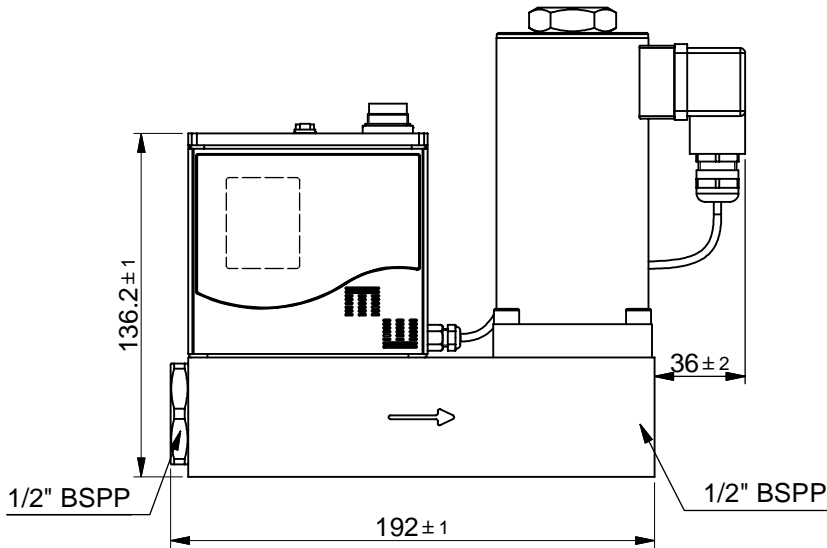
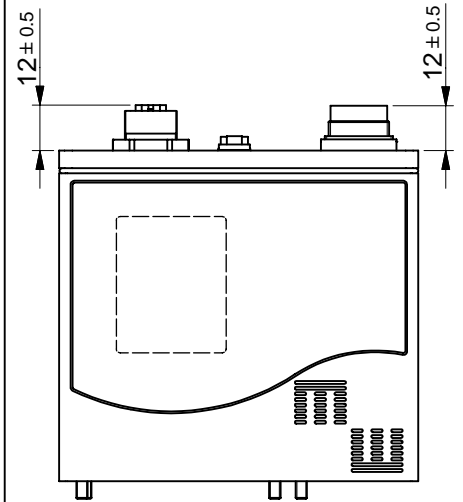
analog / RS232



FLOW-BUS / DeviceNet / Modbus

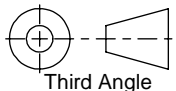


PROFIBUS



Tolerances ± 0.2 unless otherwise mentioned

Dimensions subject to change without notice.

Title: Dimensional drawing M+W D-6371		Drawer : J.H.	Revision Description: New drawing	
		Date: 16-04-2009		
Projection:  Third Angle		Checked :		
Dimensions: Metric (mm)		Date: 16-04-2009	Rev. by:	Scale: 1:3
WWW.MW-INSTRUMENTS.COM		Drawing no.: 7.05.757	Rev.: A	A4
			Page: 1-1	