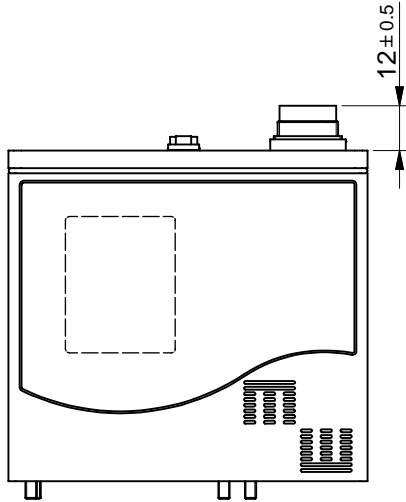
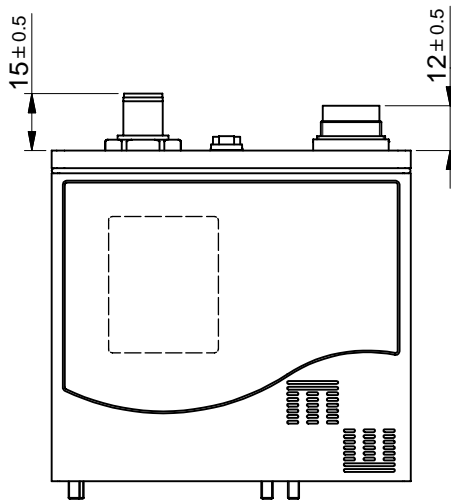


One of these digital case assemblies replaces the case assembly as drawn in the dimensional drawing. Please note that the height increases when a connector is used.

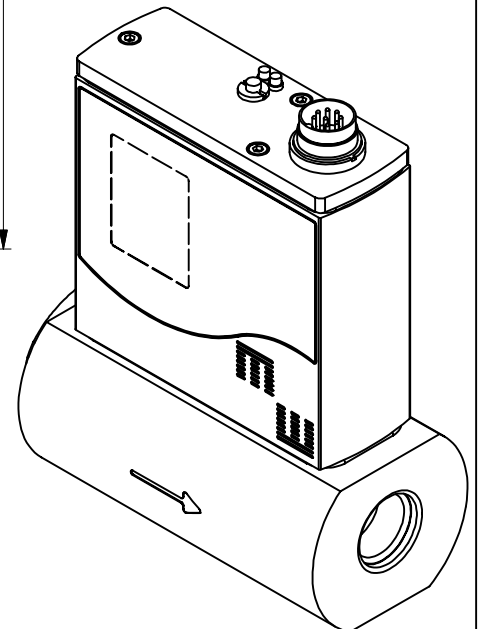
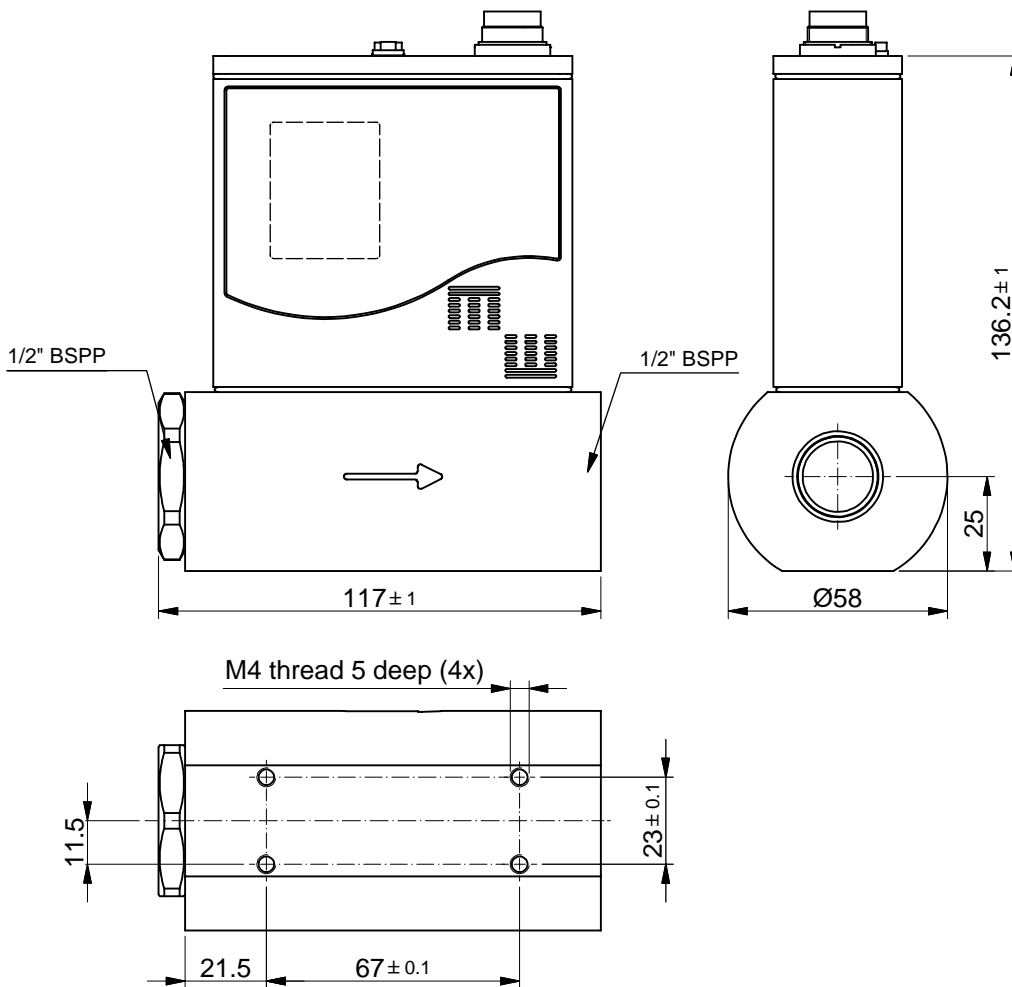
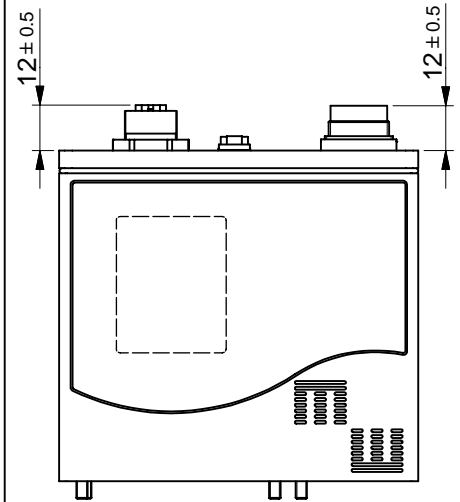
analog / RS232



FLOW-BUS / DeviceNet / Modbus

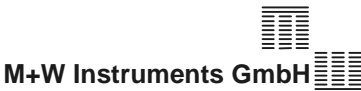
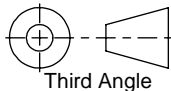


PROFIBUS



Tolerances  $\pm 0.2$  unless otherwise mentioned

Dimensions subject to change without notice.

Title: <b>Dimensional drawing M+W D-6370</b>		Drawer : J.H. Date: 15-04-2009	Revision Description: Housing changed. 2x M4 changed into 4x M4.	
 <b>M+W Instruments GmbH</b> WWW.MW-INSTRUMENTS.COM	Projection:  Third Angle	Checked : Date: 19-08-2009	Rev. by: M.d.J.	Scale: 1:2
	Dimensions: <b>Metric (mm)</b>	Drawing no.: 7.05.752	Rev.: B	Page: 1-1