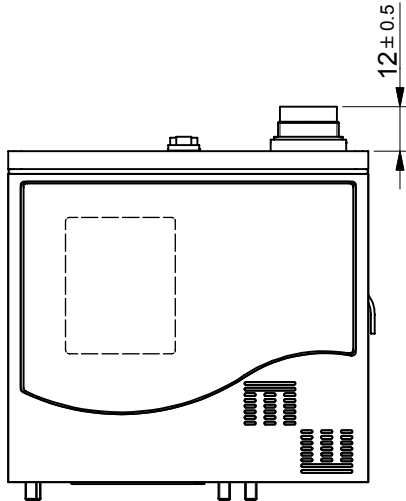
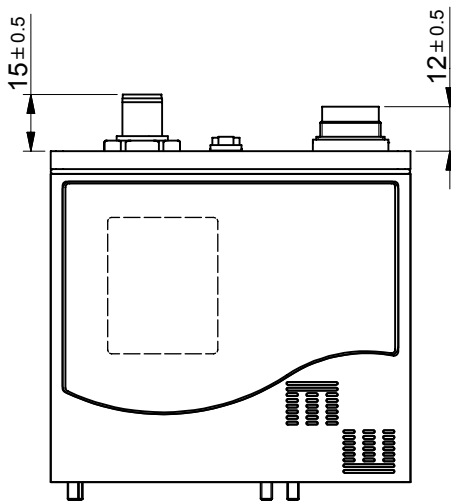


One of these digital case assemblies replaces the case assembly as drawn in the dimensional drawing.
Please note that the height increases when a connector is used.

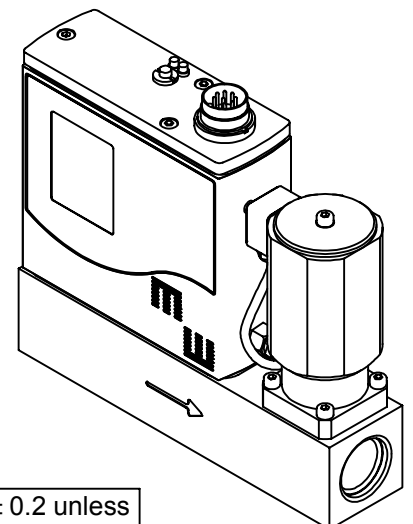
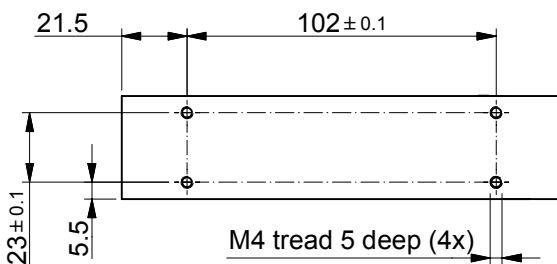
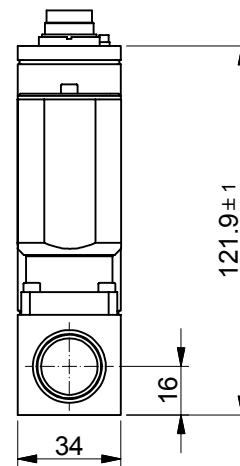
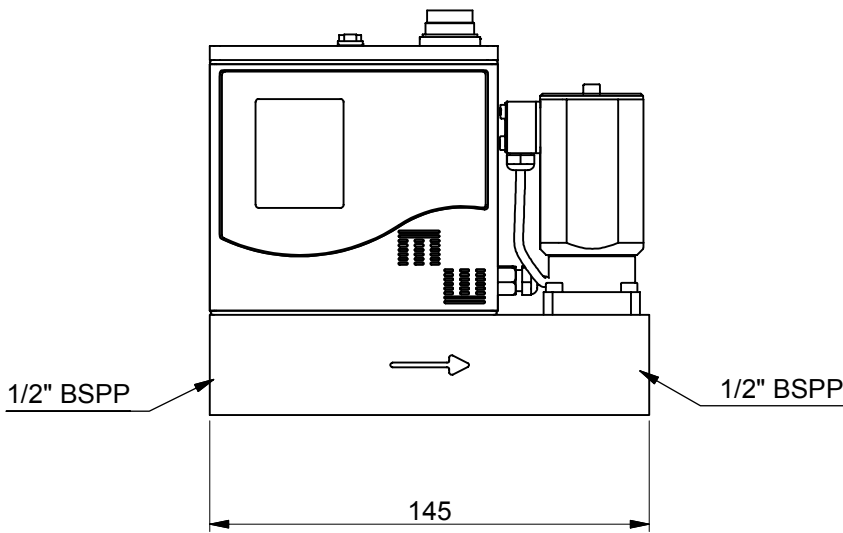
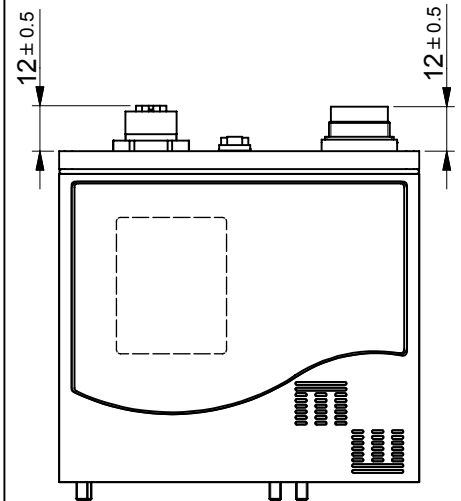
analog / RS232



FLOW-BUS / DeviceNet / Modbus


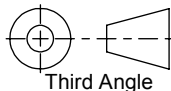


PROFIBUS



Tolerances ± 0.2 unless otherwise mentioned

Dimensions subject to change without notice.

Title: Dimensional drawing M+W D-6361 / F-002BI		Drawer : B.B. Date: 09-02-2012	Revision Description: Title changed.	
 WWW.MW-INSTRUMENTS.COM	Projection:  Third Angle	Checked : Date: 13-02-2012	Rev. by: M.d.J.	Scale: 1:3
	Dimensions: Metric (mm)	Drawing no.: 7.05.834	Rev.: B	A4 Page: 1-1