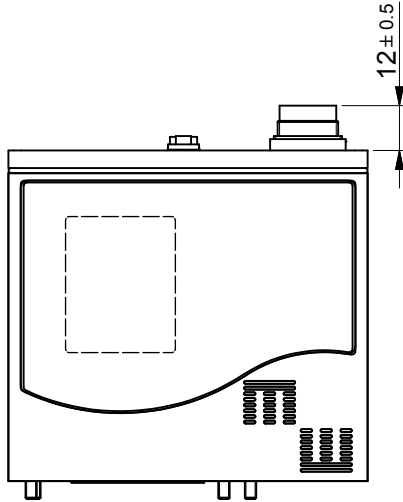
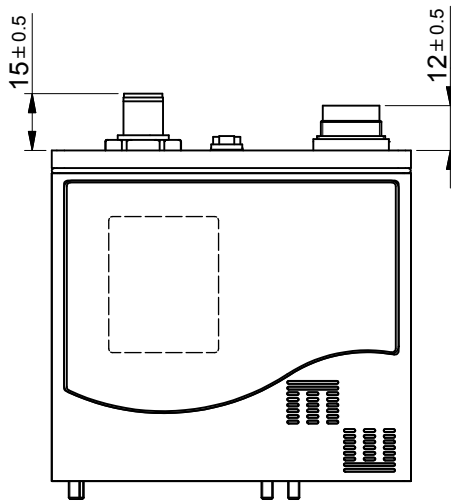


One of these digital case assemblies replaces the case assembly as drawn in the dimensional drawing.  
Please note that the height increases when a connector is used.

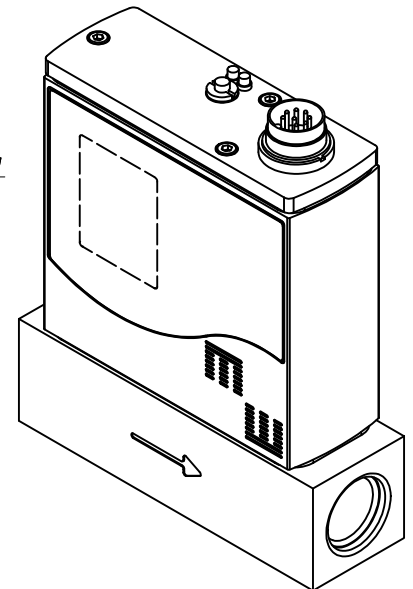
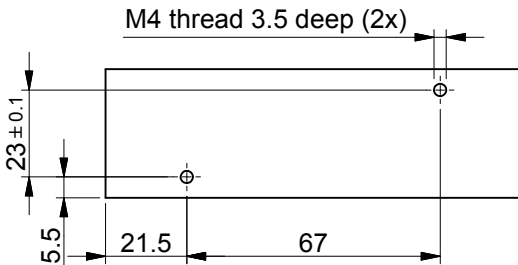
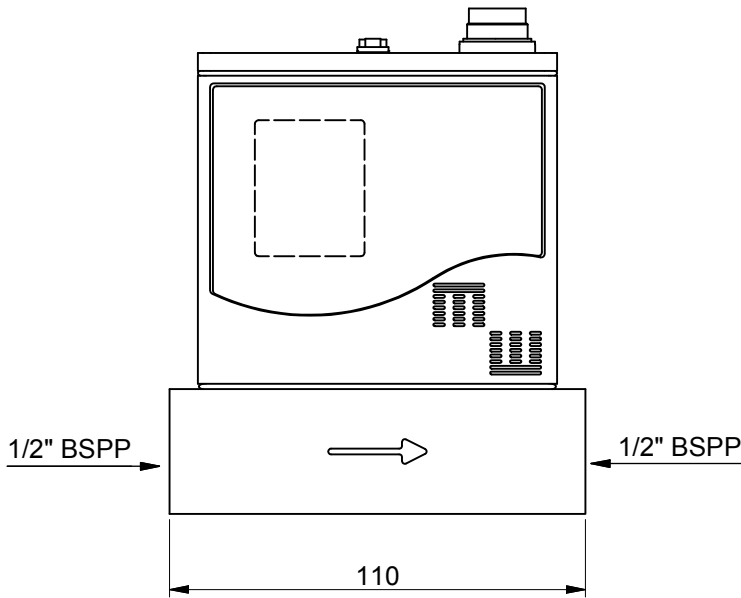
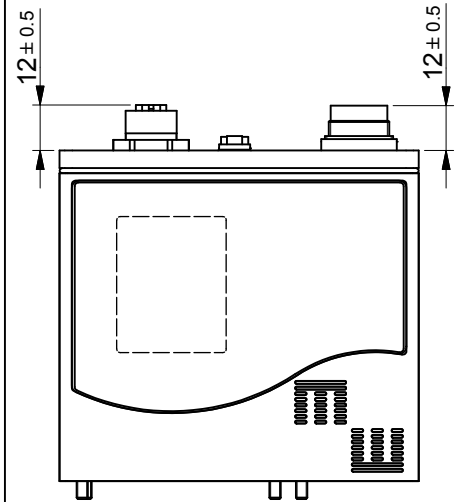
analog / RS232



FLOW-BUS / DeviceNet / Modbus


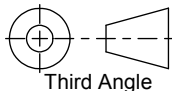


PROFIBUS



Tolerances  $\pm 0.2$  unless otherwise mentioned

Dimensions subject to change without notice.

Title: <b>Dimensional drawing M+W D-6361</b>		Drawer : J.H. Date: 21-04-2009	Revision Description: Info about thread added.	
 M+W Instruments GmbH WWW.MW-INSTRUMENTS.COM	Projection:  Third Angle	Checked : J.E. Date: 12-02-2014	Rev. by: B.B.	Scale: 1:2
	Dimensions: <b>Metric (mm)</b>	Drawing no.: 7.05.756	Rev.: C	A4 Page: 1-1