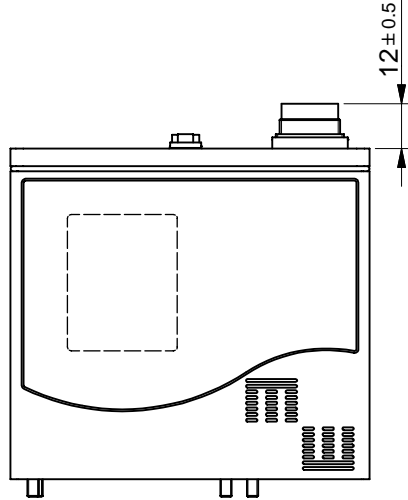
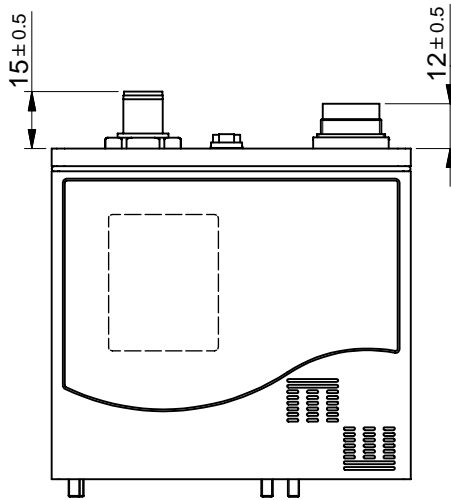


One of these digital case assemblies replaces the case assembly as drawn in the dimensional drawing. Please note that the height increases when a connector is used.

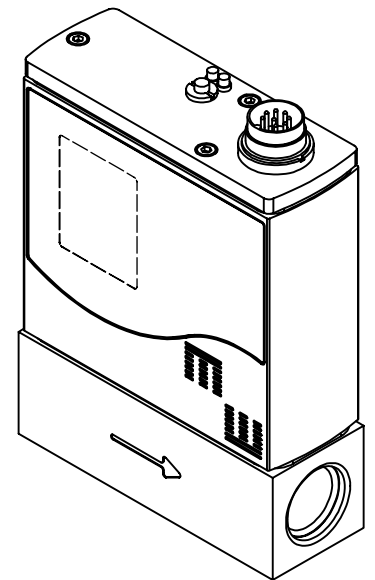
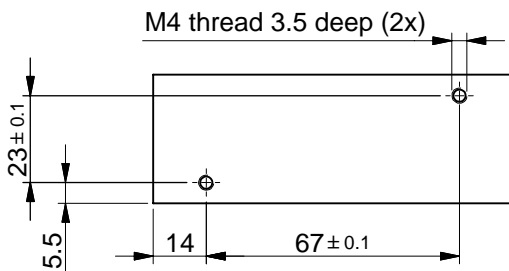
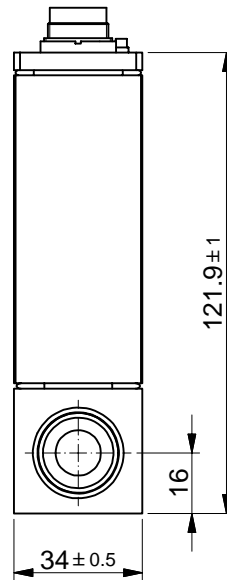
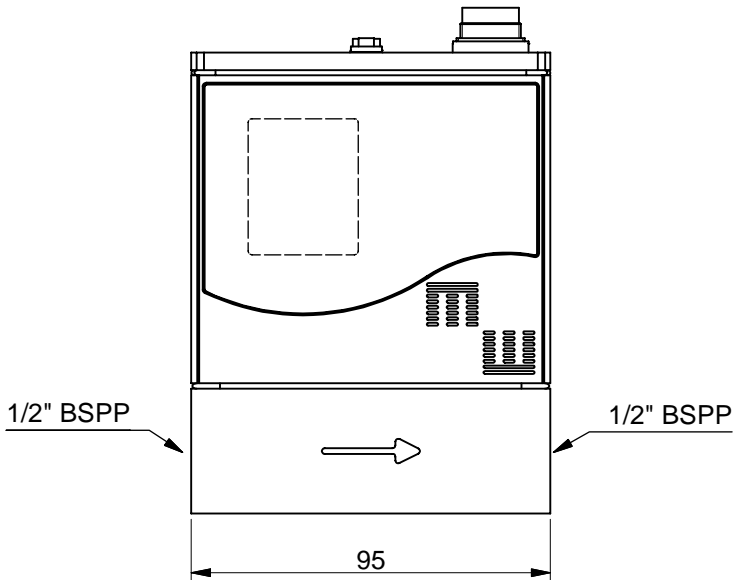
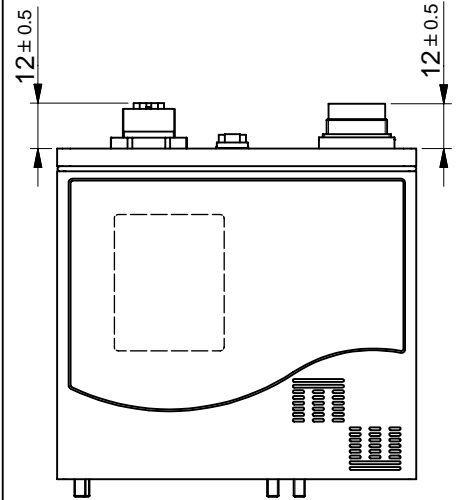
analog / RS232



FLOW-BUS / DeviceNet / Modbus

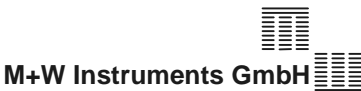
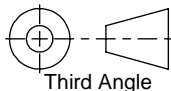


PROFIBUS



Dimensions subject to change without notice.

Tolerances ± 0.2 unless otherwise mentioned

Title: Dimensional drawing M+W D-6360		Drawer : J.H. Date: 14-04-2009	Revision Description: Housing changed, dimension 110 changed into 95.	
 M+W Instruments GmbH WWW.MW-INSTRUMENTS.COM	Projection:  Third Angle	Checked : Date: 19-08-2009	Rev. by: M.d.J.	Scale: 1:2
	Dimensions: Metric (mm)	Drawing no.: 7.05.751	Rev.: B	Page: 1-1