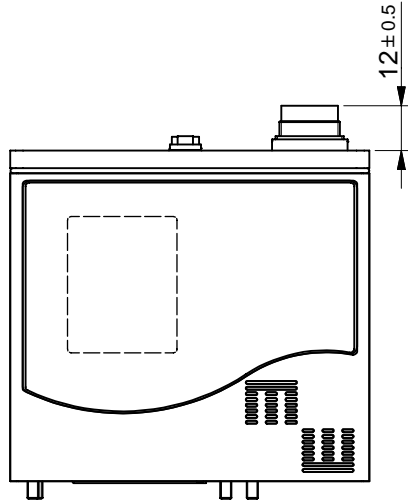
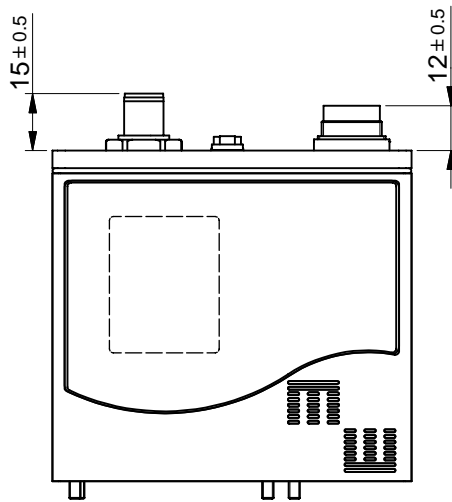


One of these digital case assemblies replaces the case assembly as drawn in the dimensional drawing.
Please note that the height increases when a connector is used.

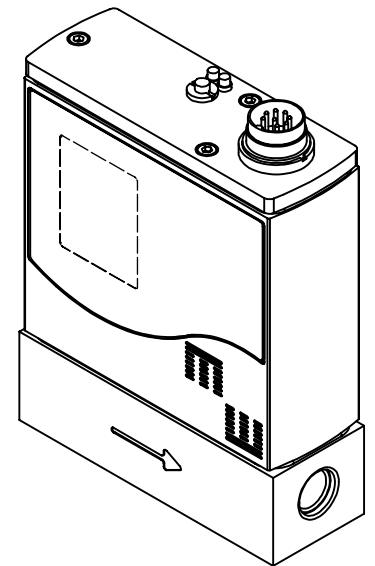
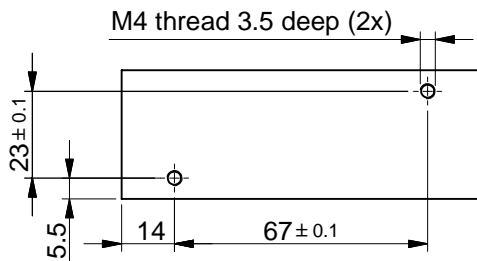
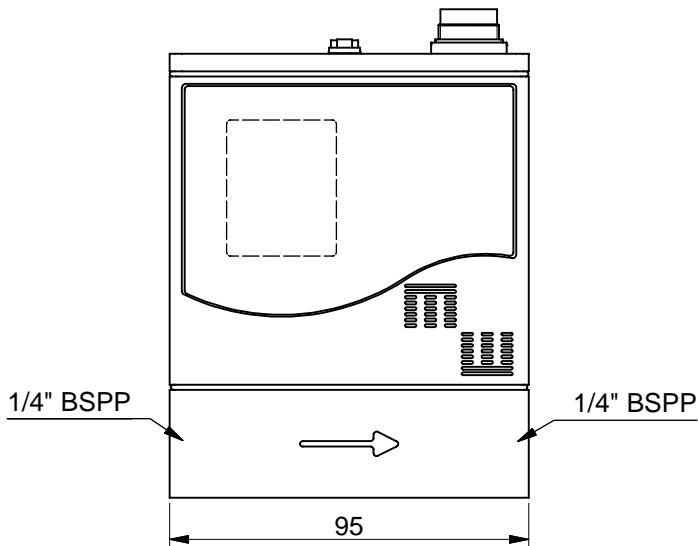
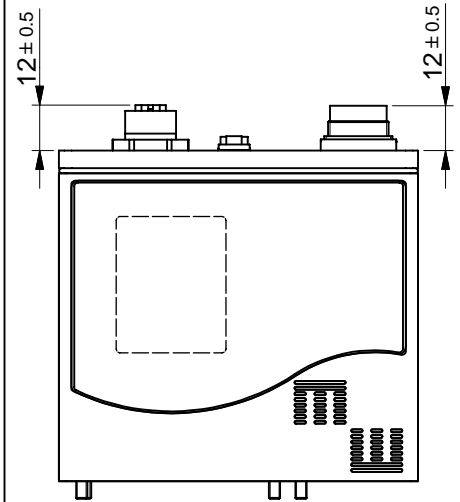
analog / RS232



FLOW-BUS / DeviceNet / Modbus


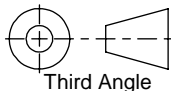


PROFIBUS



Tolerances ± 0.2 unless otherwise mentioned

Dimensions subject to change without notice.

Title: Dimensional drawing M+W D-6310/D-6320		Drawer : J.H. Date: 07-04-2009	Revision Description: Adapter chamber changed from 1/8" to 1/4".	
 WWW.MW-INSTRUMENTS.COM	Projection:  Third Angle	Checked :	Rev. by: M.B.	Scale: 1:2
	Dimensions: Metric (mm)	Date: 06-10-2011	Drawing no.: 7.05.749	Page: 1-1