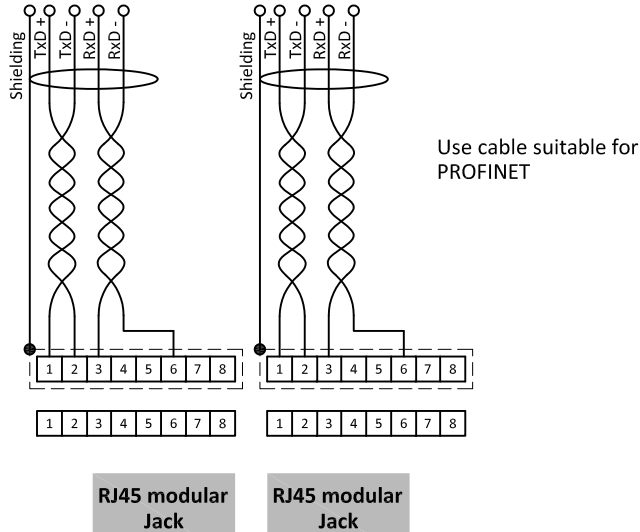
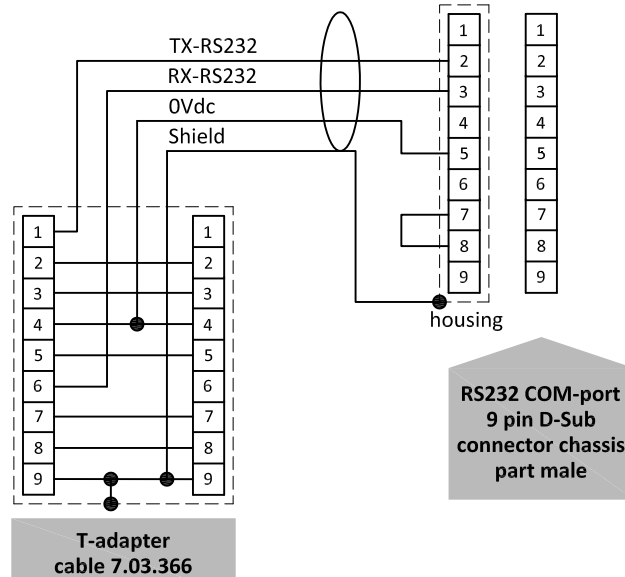


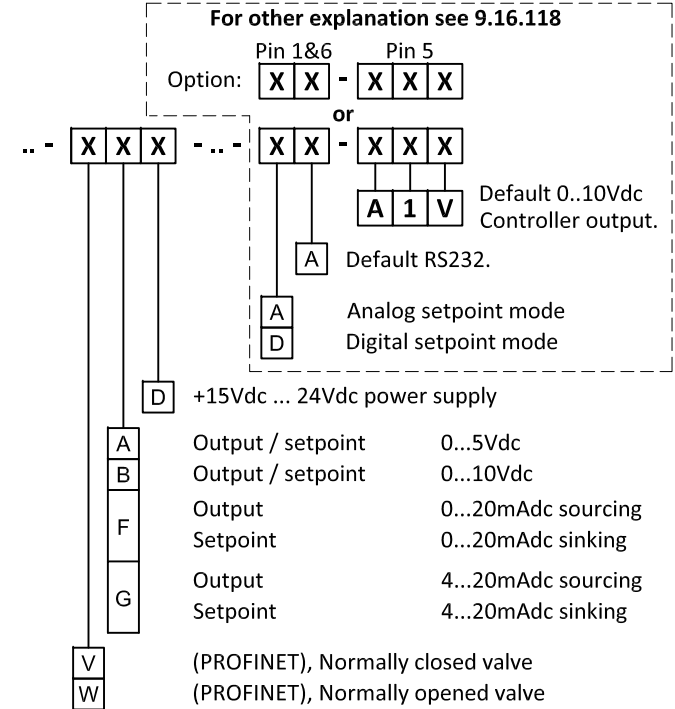
PROFINET connection



RS232 connection



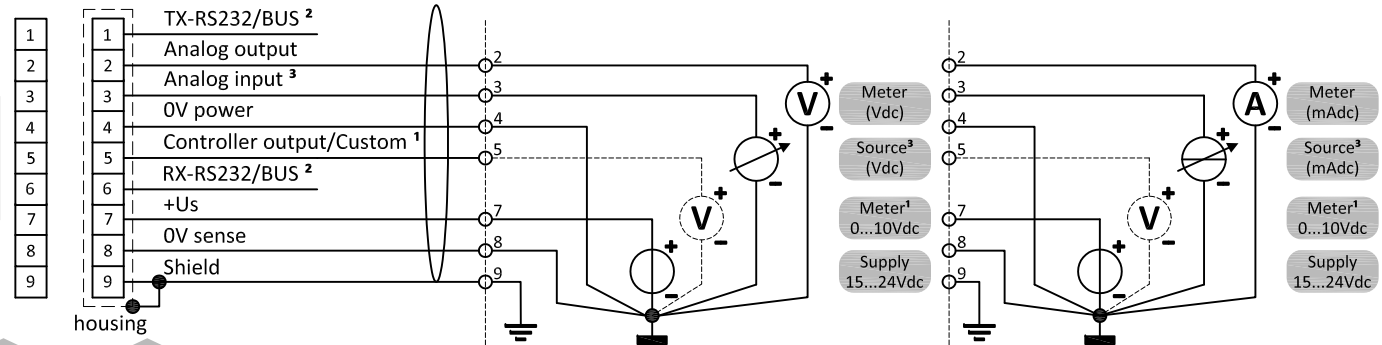
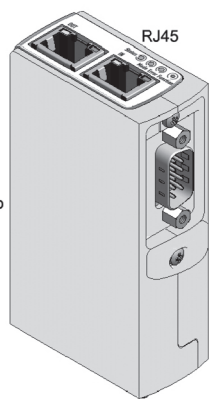
Model key explanation



2x RJ45 connector chassis part female



9 pin D-Sub Connector chassis part male



9 pin D-Sub connector chassis part male

9 pin D-Sub connector cable part female

Analog operated
0...5 or 0...10Vdc

Analog operated
0...20 or 4...20mAdc

Note:
1) Check model key for custom pin 5 IO configuration. (Default = -A1V- = 0...10Vdc.)
2) Check model key for custom BUS configuration. (Default = -xA- = RS232)
3) Check Model key for analog or digital setpoint mode. (-Ax- = analog, -Dx- = digital)
When using a field bus or RS232, it is not possible to operate the instrument by using the setpoint signal of the analog D-sub connector without changing the value of parameter "control mode". See doc.nr. 9.17.023 for more details.
Do not connect an external valve to instruments, set as MFM or EPM.