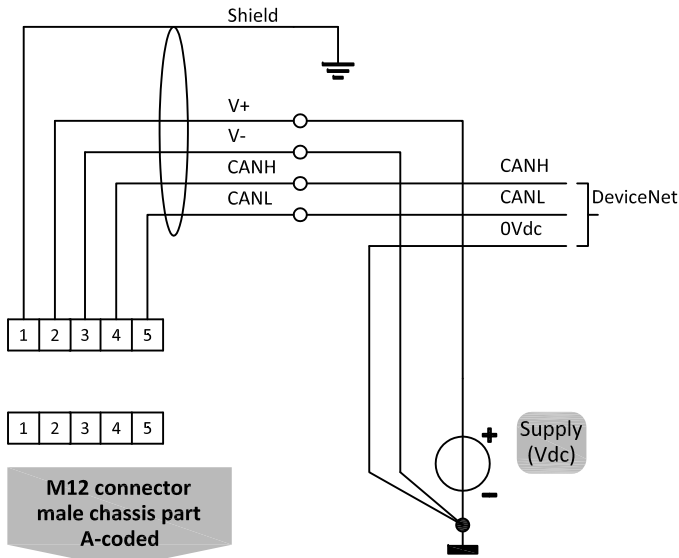
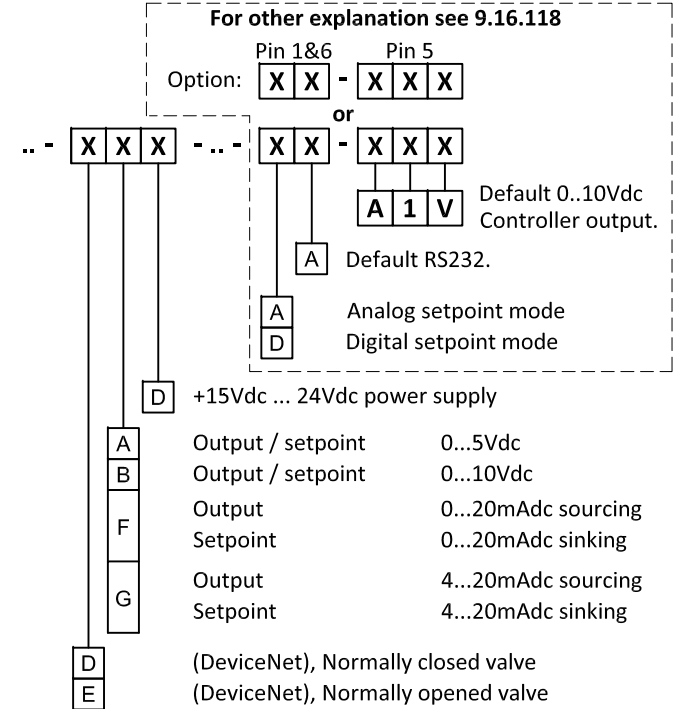


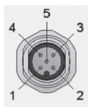
DeviceNet connection



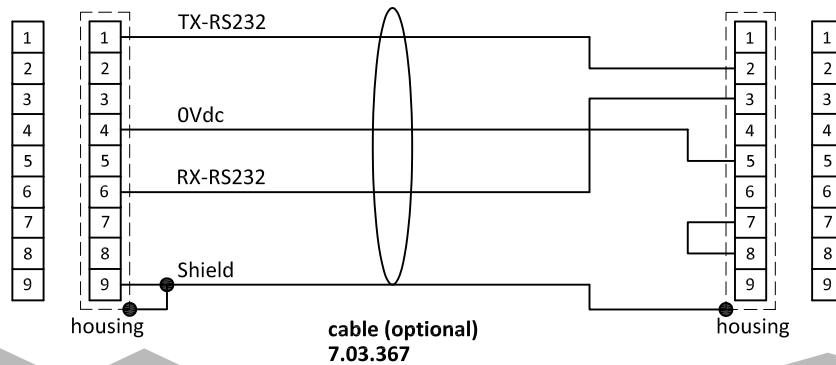
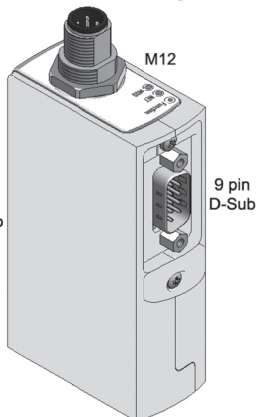
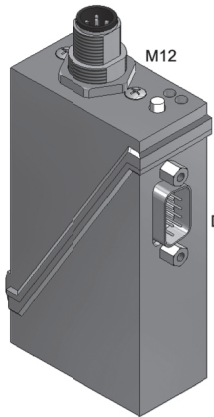
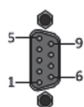
Model key explanation



M12 connector male chassis part A-coded



9 pin D-Sub Connector chassis part male



Note:
When using a field bus or RS232, it is not possible to operate the instrument by using the setpoint signal of the analog D-sub connector without changing the value of parameter "control mode".
See doc.nr. 9.17.023 for more details

Note:
Do not connect an external valve to instruments, set as MFM or EPM

Note:
Powering a single instrument is possible by the D-sub connector.
Please consult 9.16.119 for a connection diagram.