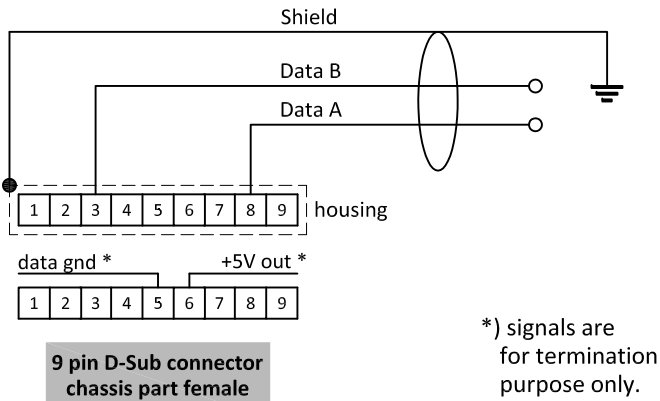
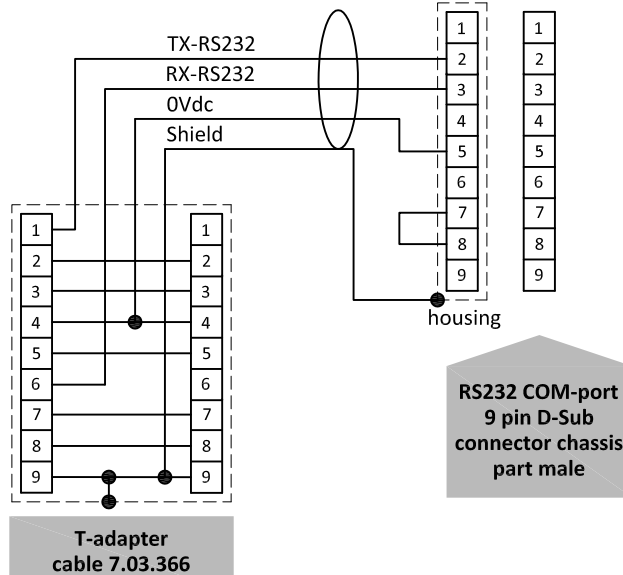


## PROFIBUS connection

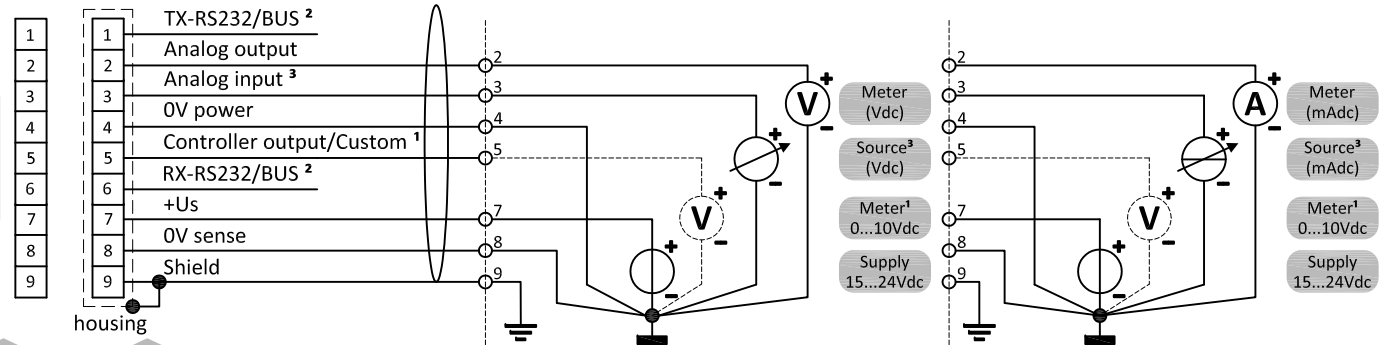
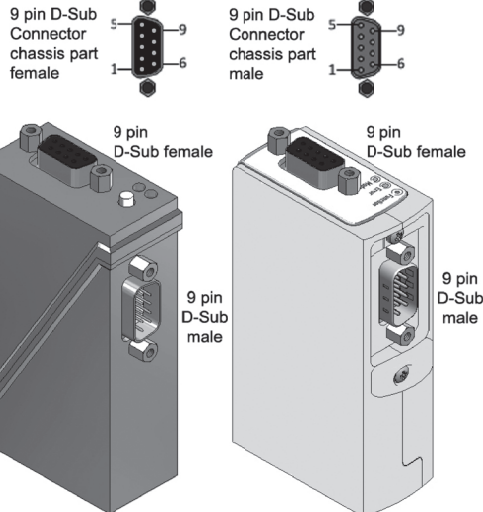
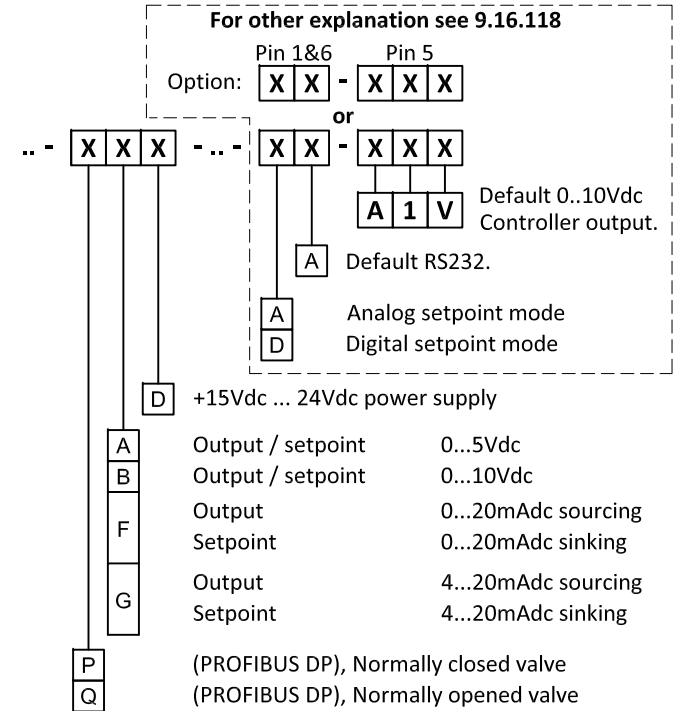


\*) signals are for termination purpose only.

## RS232 connection <sup>2</sup>



## Model key explanation



Note:  
1) Check model key for custom pin 5 IO configuration. (Default = -A1V- = 0...10Vdc.)  
2) Check model key for custom BUS configuration. (Default = -xA- = RS232)  
3) Check Model key for analog or digital setpoint mode. (-Ax- = analog, -Dx- = digital)  
When using a field bus or RS232, it is not possible to operate the instrument by using the setpoint signal of the analog D-sub connector without changing the value of parameter "control mode". See doc.nr. 9.17.023 for more details.  
Do not connect an external valve to instruments, set as MFM or EPM.