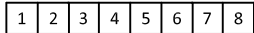
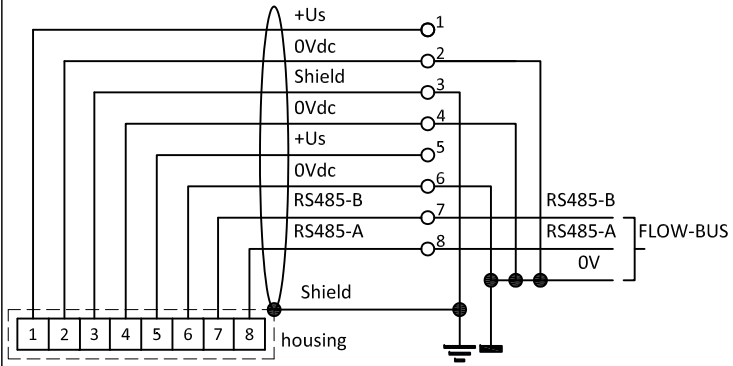


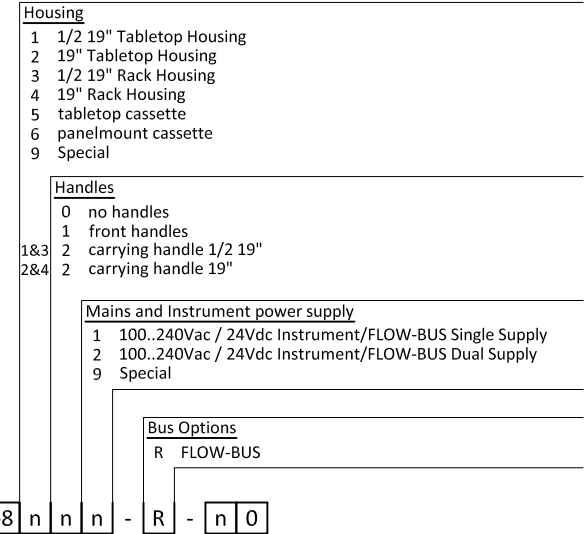
FLOW-BUS connection



RJ45 modular jack

Note:
The connection is shown for FLOW-BUS IN and OUT

Model key explanation



RJ45 modular jack (2x)

