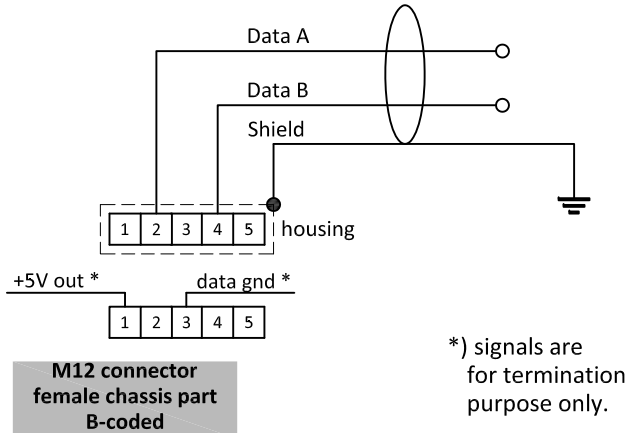


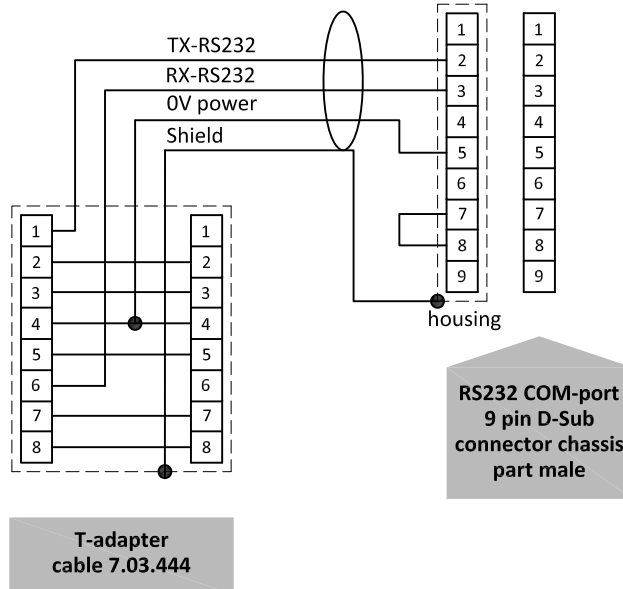
PROFIBUS DP

Hook-up diagram

PROFIBUS connection



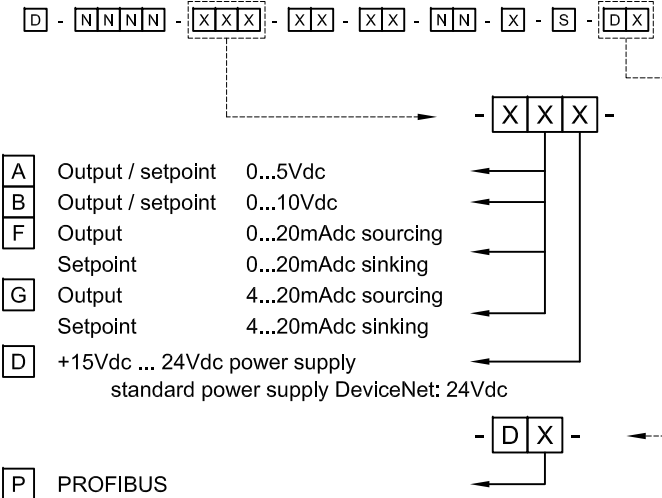
RS232 connection



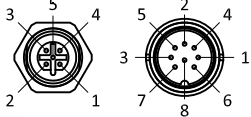
Types

D-6300 Series

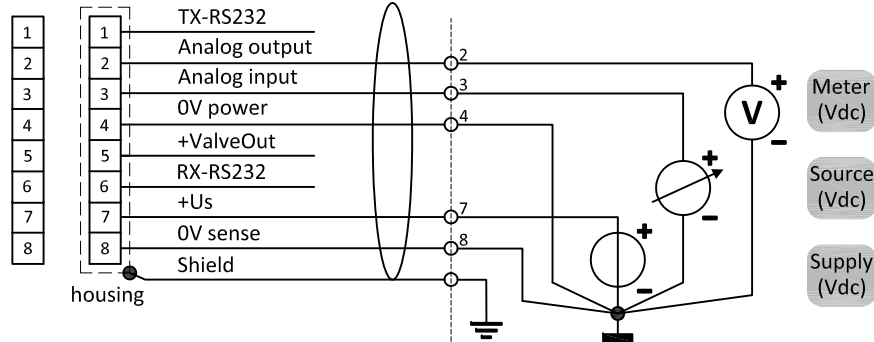
Model key explanation



M12 connector female chassis part B-coded



8 DIN connector chassis part male



8 DIN connector chassis part male

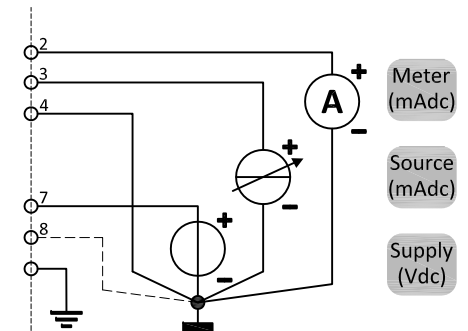
8 DIN connector cable part female

Note:
Do not connect an external valve to instruments, set as MFM.

Note:
0V power (pin 4) and 0V sense (pin 8) should be separately connected to the 0V terminal at the power supply.

Analog operated 0...5 or 0...10Vdc

Note:
When using a field bus or RS232, it is not possible to operate the instrument by using the setpoint signal of the analog 8 DIN connector without changing the value of parameter "control mode". See doc.no. 9.17.023 for more details



Note:
In analog mode with 'mA signals' Pin 8 (0V sense) does not need to be connected. The instrument's operation will not be effected in case Pin 8 is already hooked-up

Analog operated 0...20 or 4...20mA dc