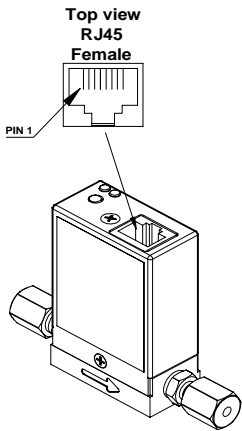
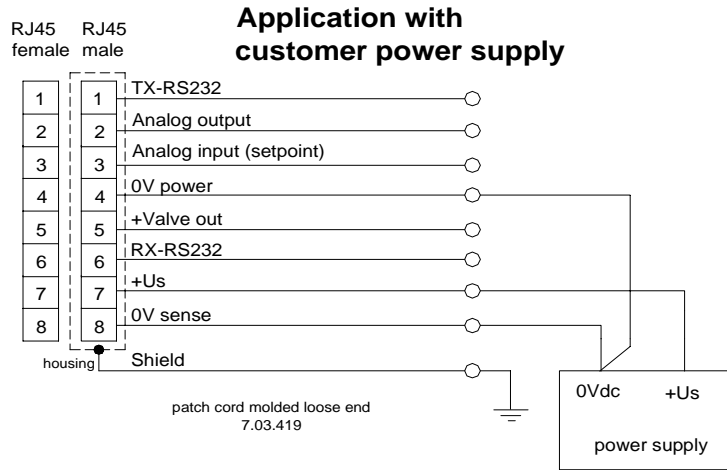
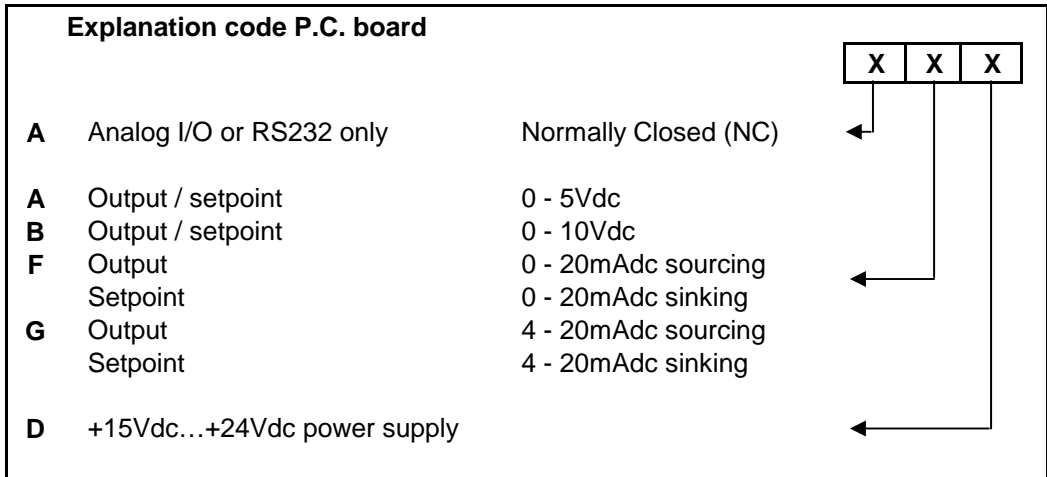


Hook-up diagram IQ+FLOW RS-232 + Analog I/O



Application stand alone

It's also possible to connect the IQ+ FLOW with a Bronkhorst plug-in powersupply (7.03.424)
 For information and specifications of this powersupply visit the Bronkhorst internetsite.

