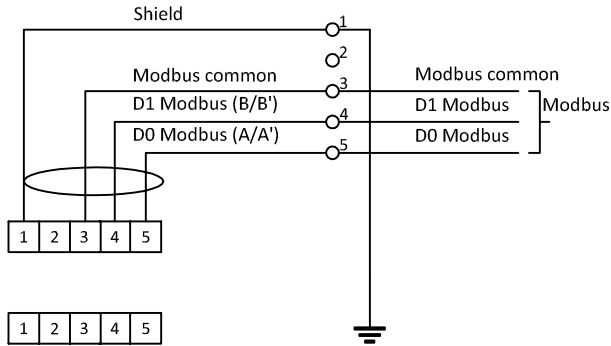


# Modbus

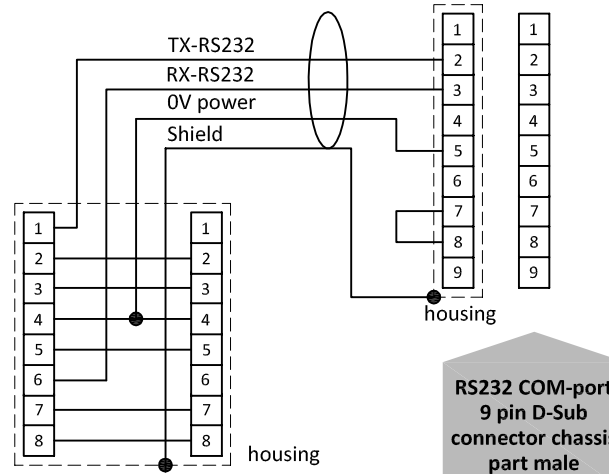
## MULTI-BUS Hook-up diagram

### Modbus connection



**M12 connector  
male chassis part  
A-coded**

### RS232 connection

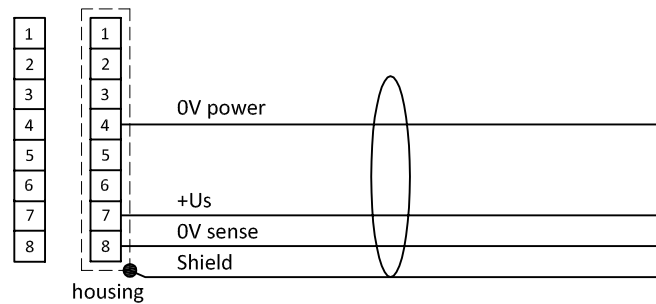
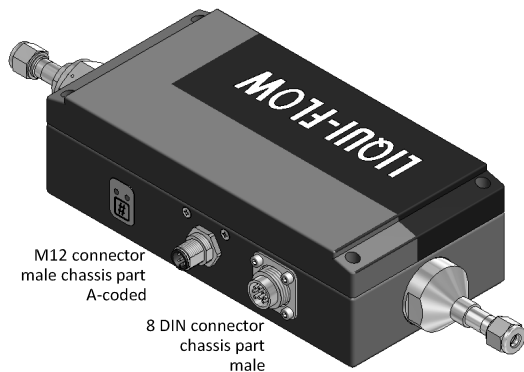
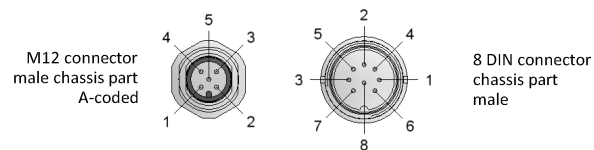
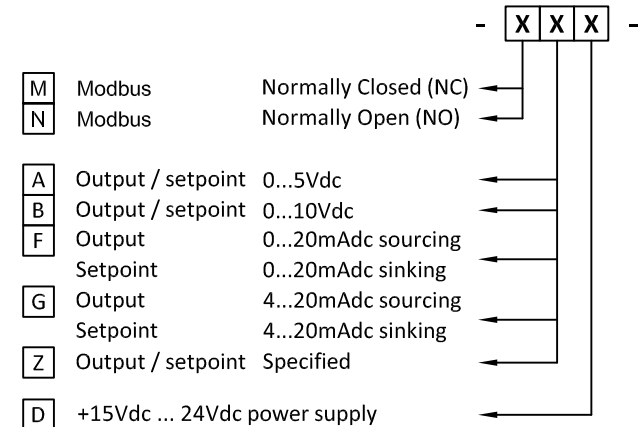


**T-adaptor  
cable 7.03.444**

### Types

LIQUI-FLOW L30

### Model key explanation



**8 DIN  
connector  
chassis part  
male**

**8 DIN  
connector  
cable part  
female**



**Note:**  
The power supply is disconnected in the M12 connector due to high power consumption of the instrument.  
Always hook up the power supply as shown below.

**Supply  
(Vdc)**

**Note:**  
0V power (pin 4) and 0V sense (pin 8) should be separately connected to the 0V terminal at the power supply.

**Note:**  
Do not connect an external valve to instruments, set as MFM.

**Note:**  
When using a field bus or RS232, it is not possible to operate the instrument by using the setpoint signal of the analog 8 DIN connector without changing the value of parameter "control mode". See doc.nr. 9.17.023 for more details