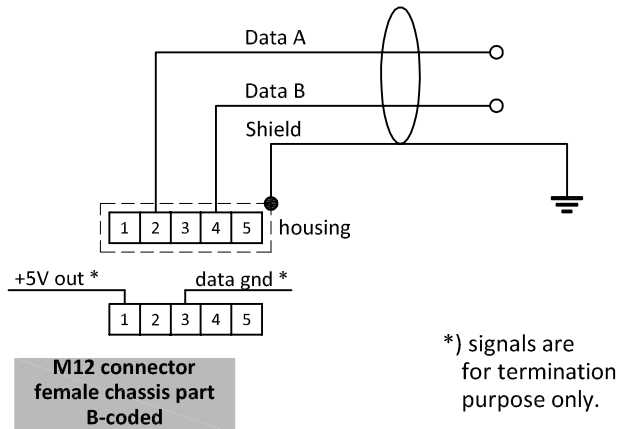


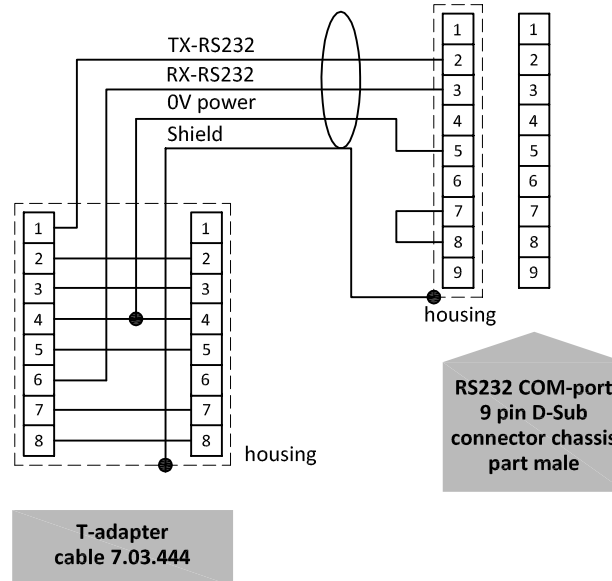
PROFIBUS-DP®

MULTI-BUS Hook-up diagram

PROFIBUS connection



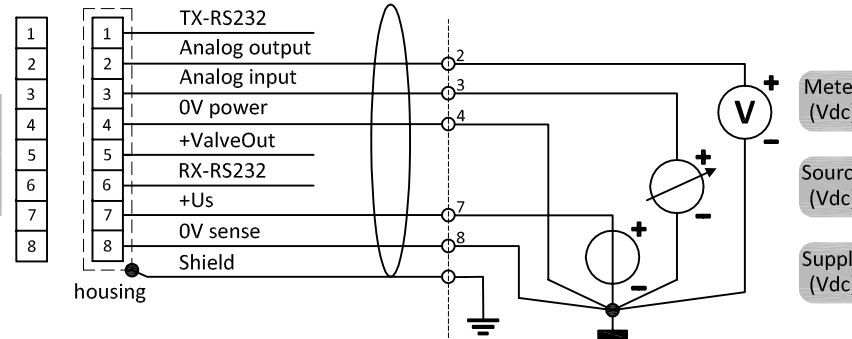
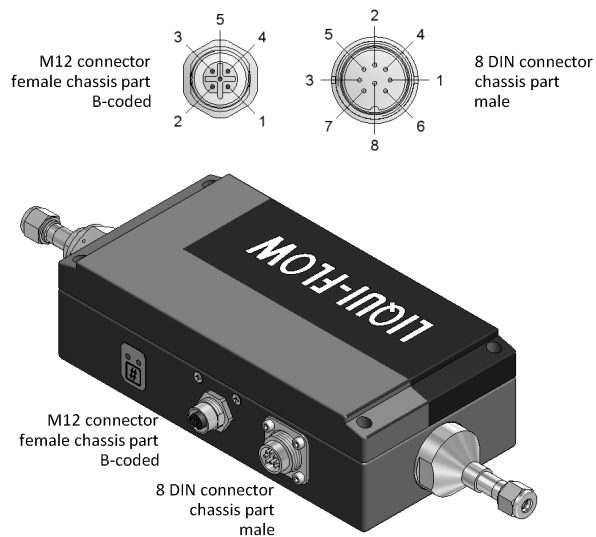
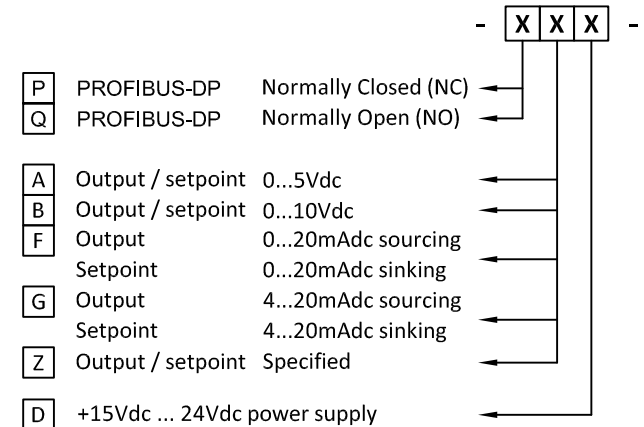
RS232 connection



Types

LIQUI-FLOW L30

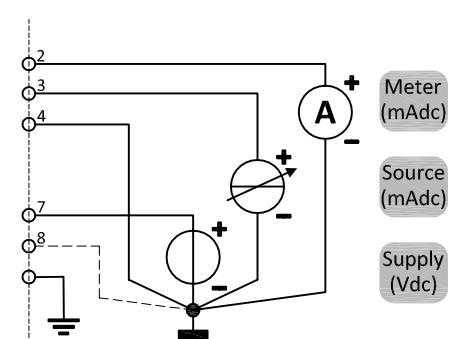
Model key explanation



Note:
0V power (pin 4) and 0V sense (pin 8) should be separately connected to the 0V terminal at the power supply.

**Analog operated
0...5 or 0...10Vdc**

Note:
When using a field bus or RS232, it is not possible to operate the instrument by using the setpoint signal of the analog 8 DIN connector without changing the value of parameter "control mode". See doc.nr. 9.17.023 for more details



Note:
In analog mode with 'mA signals' Pin 8 (0V sense) does not need to be connected. The instrument's operation will not be effected in case Pin 8 is already hooked-up

**Analog operated
0...20 or 4...20mA dc**