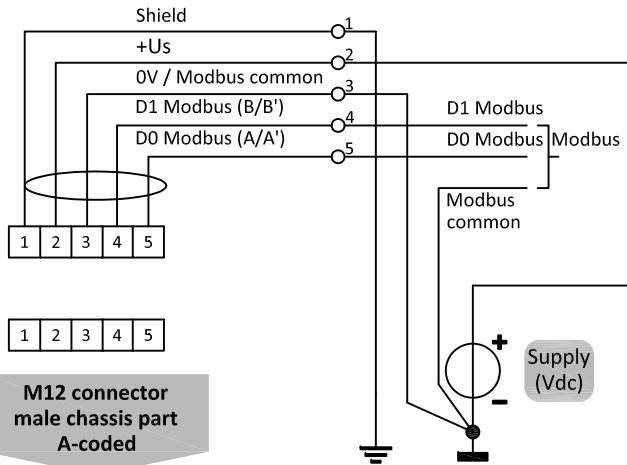


Modbus

MULTI-BUS Hook-up diagram

Modbus connection

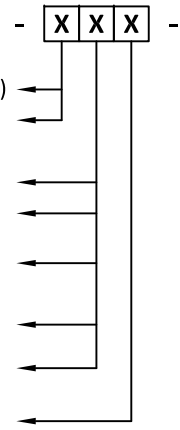


Types

(mini)CORI-FLOW

Model key explanation

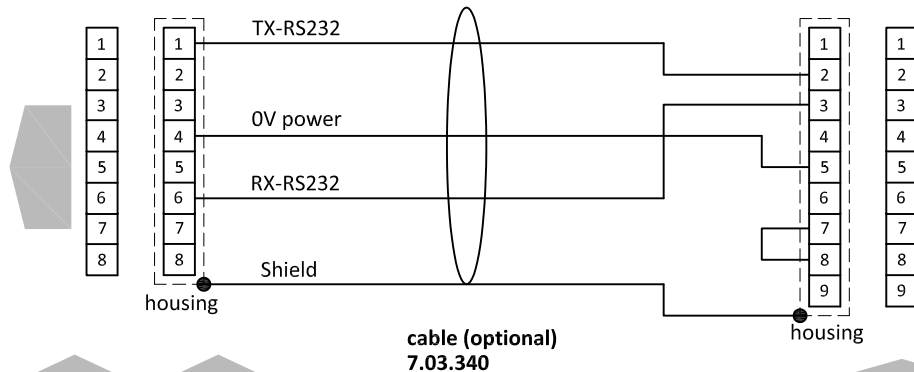
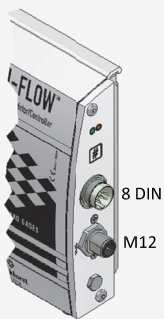
M	Modbus	Normally Closed (NC)	←
N	Modbus	Normally Open (NO)	←
A	Output / setpoint	0...5Vdc	←
B	Output / setpoint	0...10Vdc	←
F	Output	0...20mA dc sourcing	←
	Setpoint	0...20mA dc sinking	←
G	Output	4...20mA dc sourcing	←
	Setpoint	4...20mA dc sinking	←
Z	Output / setpoint	Specified	←
D	+15Vdc ... 24Vdc power supply		←



M12 connector male chassis part A-coded



8 DIN connector chassis part male



Note:
When using a field bus or RS232, it is not possible to operate the instrument by using the setpoint signal of the analog 8 DIN connector without changing the value of parameter "control mode".
See doc.nr. 9.17.023 for more details

Note:
Do not connect an external valve to instruments, set as MFM.

Note:
Powering a single instrument is possible by the 8 DIN connector.
Please consult 9.16.044 for a connection diagram.