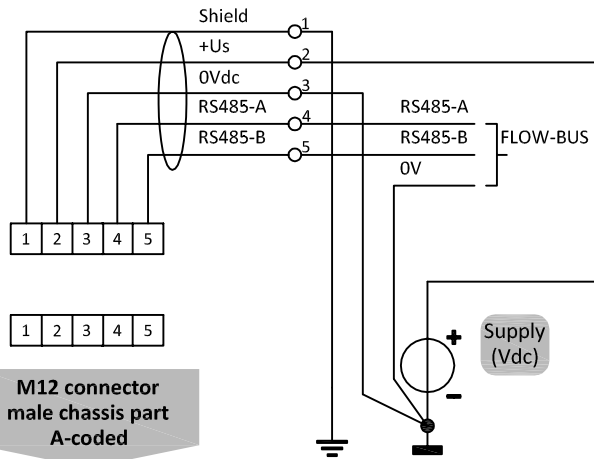


FLOW-BUS

MULTI-BUS Hook-up diagram

FLOW-BUS connection

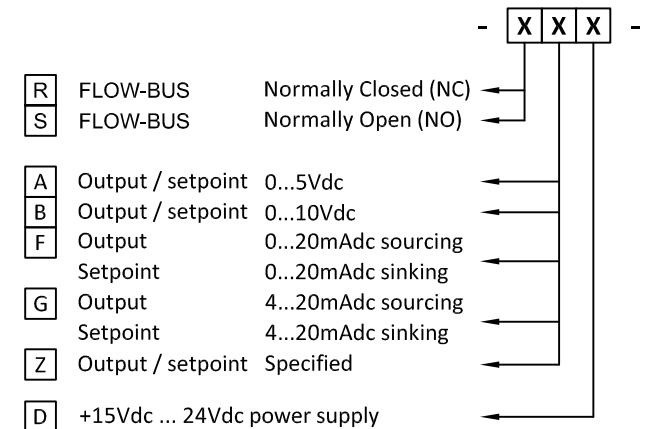


**M12 connector
male chassis part
A-coded**

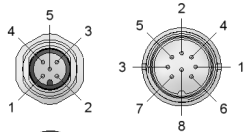
Types

IN-FLOW / IN-PRESS / LIQUI-FLOW

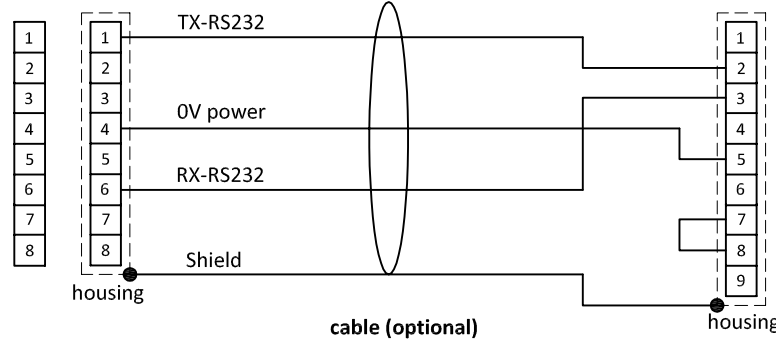
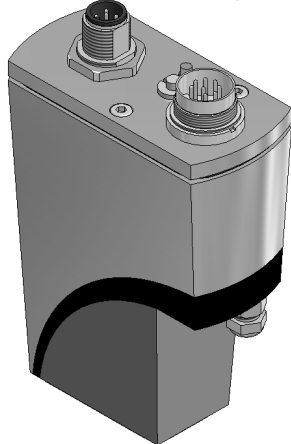
Model key explanation



M12 connector
male chassis part
A-coded



8 DIN connector
chassis part
male



**8 DIN
connector
chassis part
male**

**8 DIN
connector
cable part
female**

**RS232 COM -port
9 pin D-Sub
connector chassis
part male**

Note:
When using a field bus or RS232, it is not possible to operate the instrument by using the setpoint signal of the analog 8 DIN connector without changing the value of parameter "control mode".
See doc.nr. 9.17.023 for more details

Note:
Do not connect an external valve to instruments, set as MFM or EPM

Note:
Powering a single instrument is possible by the 8 DIN connector.
Please consult 9.16.051 for a connection diagram.