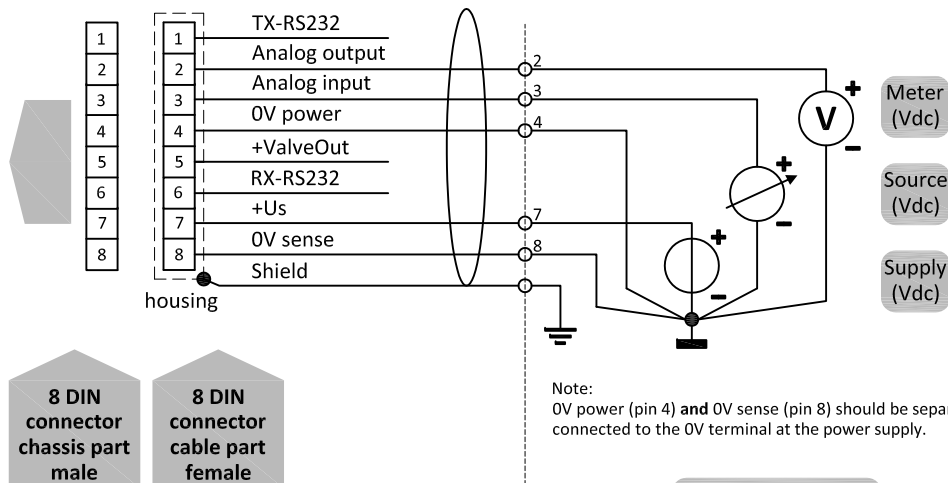
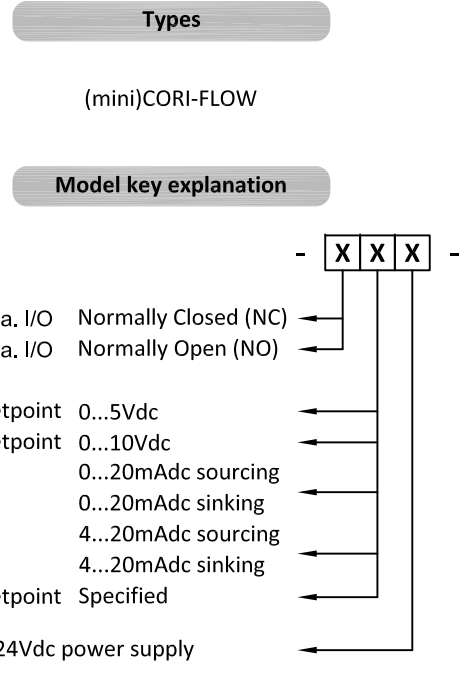
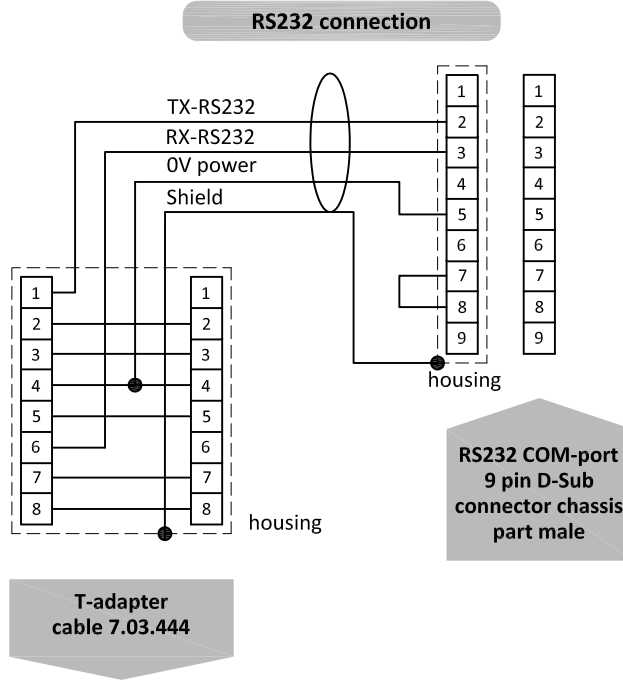
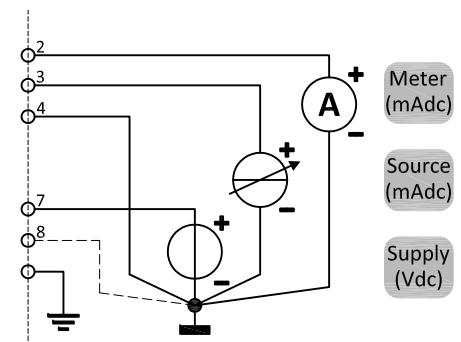


RS232+Analog I/O

MULTI-BUS Hook-up diagram



**Analog operated
0...5 or 0...10Vdc**



**Analog operated
0...20 or 4...20mAdc**

Note:
When using a field bus or RS232, it is not possible to operate the instrument by using the setpoint signal of the analog 8 DIN connector without changing the value of parameter "control mode". See doc.nr. 9.17.023 for more details