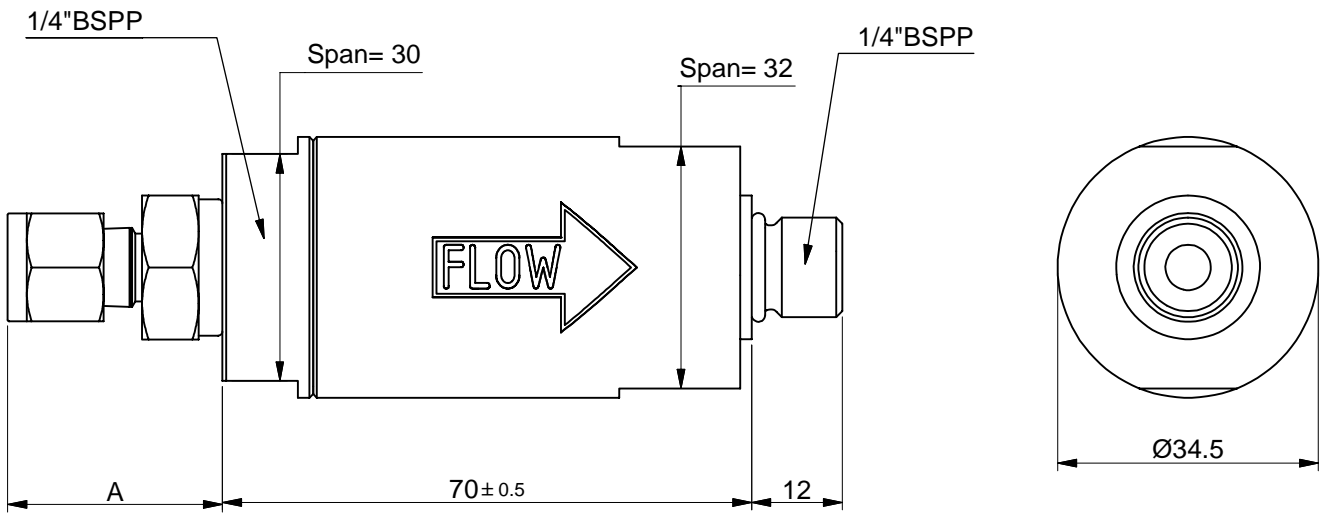

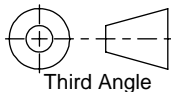


( 1:1 )



Check document 7.15.117 for dimension A.  
Dimensions subject to change without notice.

Tolerances  $\pm 0.2$  unless  
otherwise mentioned

Title: Dimensional drawing M-422 RS		Drawer : M.B.	Revision Description: Flange changed.		
		Date: 09-06-2011			
 WWW.BRONKHORST.COM	Projection:  Third Angle	Checked :			
	Dimensions: Metric (mm)	Date: 23-02-2012	Rev. by: J.H.	Scale: 1:1	A4
		Drawing no.: 7.15.163	Rev.: B	Page: 1-1	