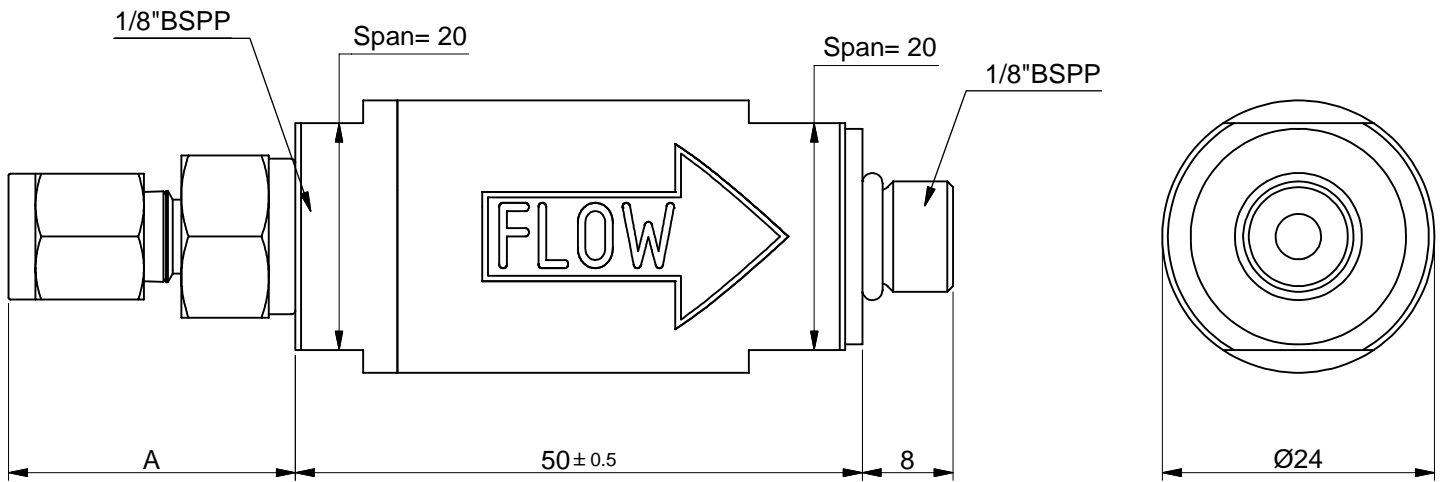

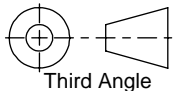


(1:1)



Check document 7.15.117 for dimension A.
Dimensions subject to change without notice.

Tolerances ± 0.2 unless
otherwise mentioned

Title: Dimensional drawing M-410 RS		Drawer : M.B.	Revision Description: New drawing	
		Date: 09-06-2011		
		Checked :		
		Date: 09-06-2011	Rev. by:	Scale: 3:2
		Drawing no.: 7.15.161	Rev.: A	A4
 Bronkhorst [®] HIGH-TECH WWW.BRONKHORST.COM		Projection:  Third Angle Dimensions: Metric (mm)	Page: 1-1	