

B = max. inside diameter flange.
Indicated if not according to standard.

Exchangeable with flange:

European standard: EN 1092-1

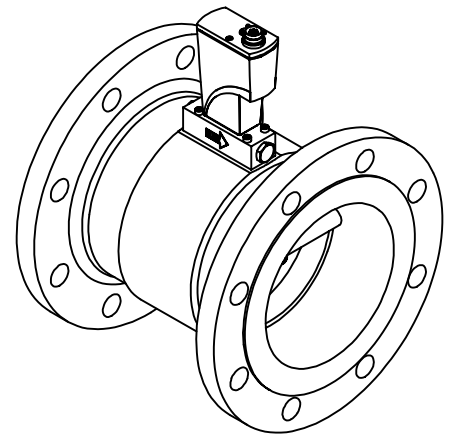
Number flange type: 11

Form of flange sealing surface: B1

PN 16


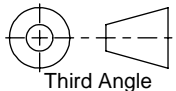
material number: 1.4401

Model	DN (nominal pipe size)	A	H	B	V [litre] (internal volume)
F-107AI	40				
F-107BI	50				
F-107CI	80				
F-107DI	100				
F-107EI	150	250	359		4.79
F-107FI	200	250	413		8.19
F-107GI	250	250	473	267.5	13.3



Check document 7.05.445 for the height of the multibus instrument.
Dimensions subject to change without notice.

Tolerances ± 0.2 unless otherwise mentioned

Title: Dimensional drawing F-107I DIN PN16		Drawer :B.K.	Revision Description: New Drawing		
		Date:18-07-2005			
		Checked :			
		Date:07-12-2005	Rev. by:	Scale:1:4	A4
 Bronkhorst [®] HIGH-TECH WWW.BRONKHORST.COM		Projection:  Third Angle Dimensions: Metric (mm)	Drawing no.: 7.15.102		Rev.:A
				Page: 1-1	