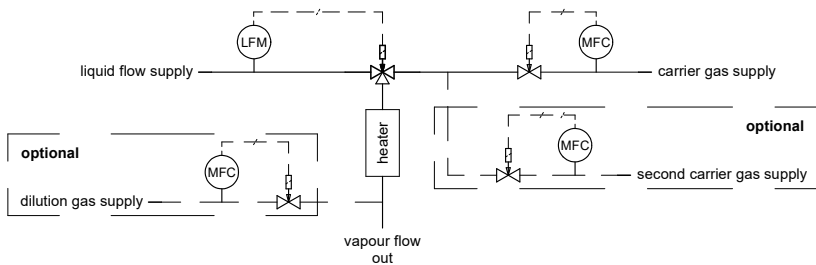
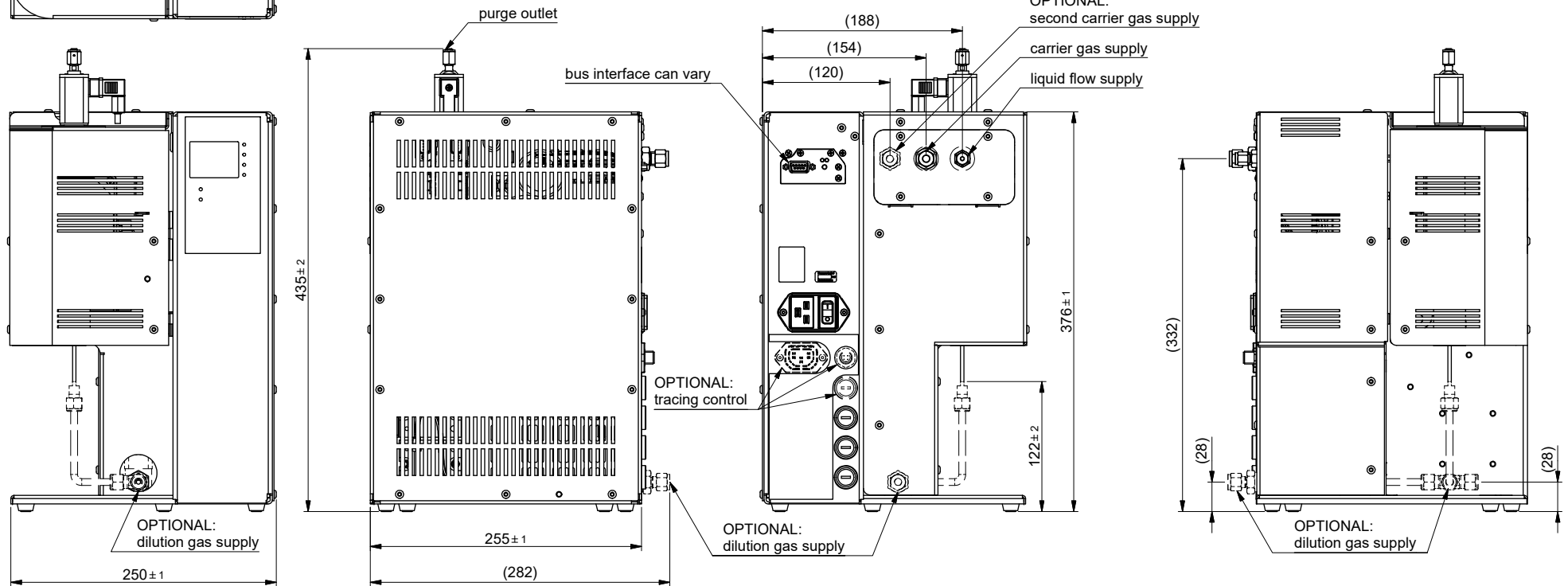
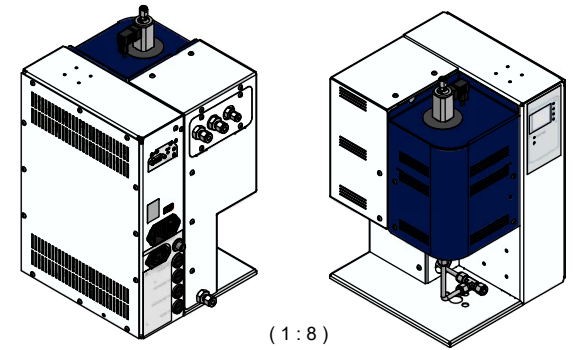
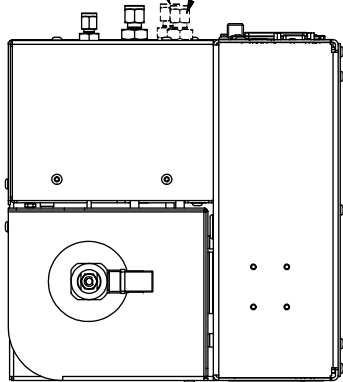

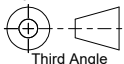


OPTIONAL:  
dilution gas supply

OPTIONAL:  
second carrier gas supply



Dimensions subject to change without notice.

Title: <b>Dimensional drawing Vapor Delivery Module</b>		Drawer : M.H.	Revision Description:		
 WWW.BRONKHORST.COM		Date: 11-07-2014	Text tracing is optional and bus interface can vary added.		
		Checked : R.G.	Flow diagram added.		
Projection: Third Angle 		Date: 27-08-2014	Rev. by: M.H.	Scale: 1:4	A3
Dimensions: Metric (mm)		Drawing no.: 7.05.901	Rev.: B	Page: 1-1	