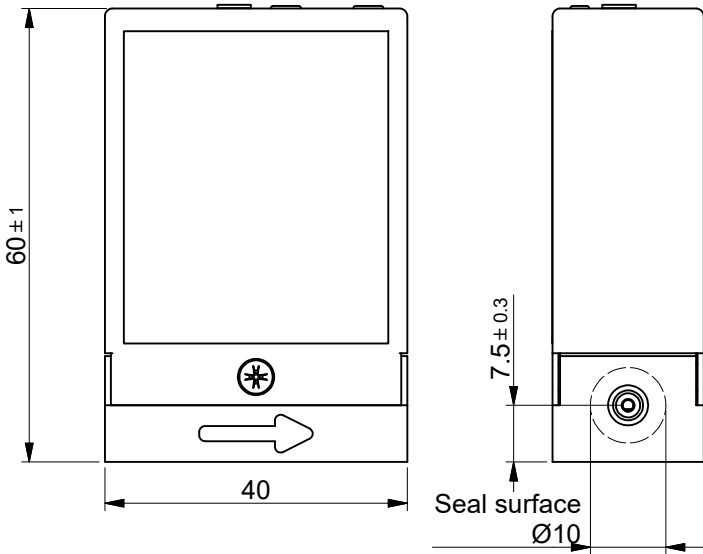
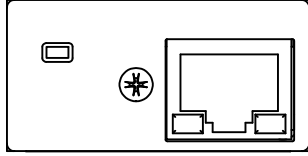
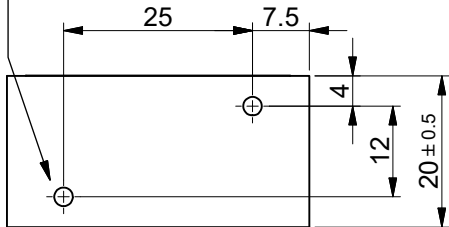


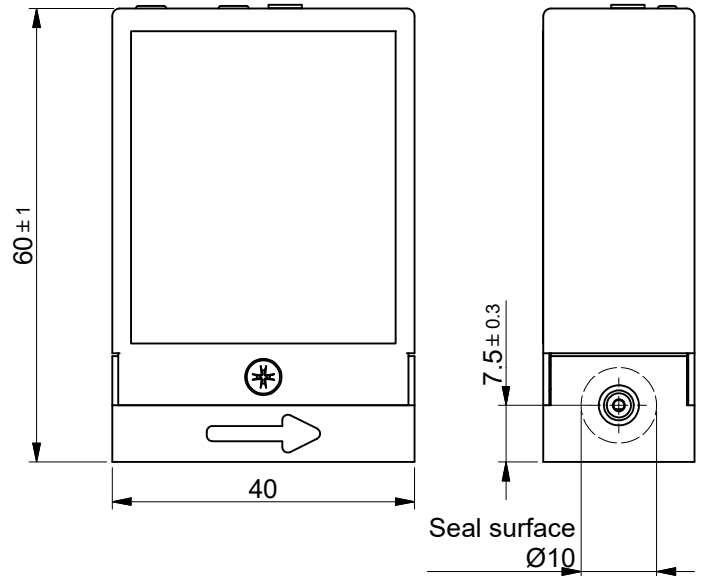
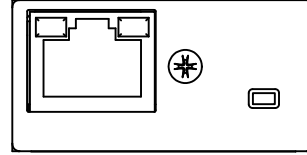
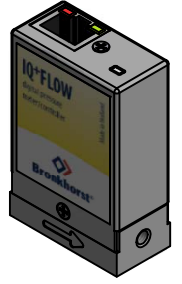
**IQF 100 / 200 serie**  
**IQP 500 / 700 serie**



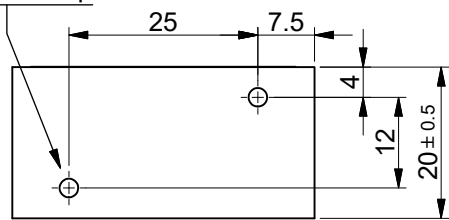
M3 (2x)  
 Thread 5 deep



**IQP 600 serie**



M3 (2x)  
 Thread 5 deep



**For all series:**

**When using adapters**  
**total length = 40 + (2 x A)**

\*) Dimension A is typical  
 finger-tight.

Adapter 1/16"	Adapter 1/16"	Adapter 1/8"
A* = 8	A* = 16.5	A* = 21

Dimensions subject to  
 change without notice.

Title: <b>Dimensional drawing IQ+ Flow</b> <b>RS232/RS485</b>		Drawer : M.H.	Revision Description: Rebranding Bronkhorst.	
		Date: 30-05-2013		
		Checked : J.E.		
		Date: 23-11-2016	Rev. by: R.Ge.	Scale: 1:1
		Drawing no.: 7.05.870	Rev.: B	A4
 WWW.BRONKHORST.COM		Projection:  Third Angle	Page: 1-1	
Dimensions: <b>Metric (mm)</b>				