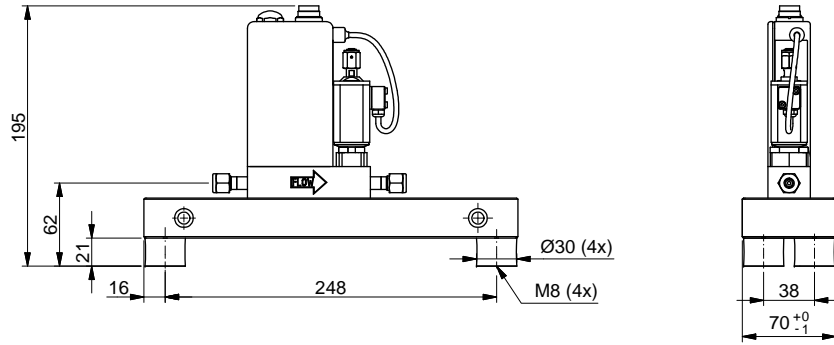


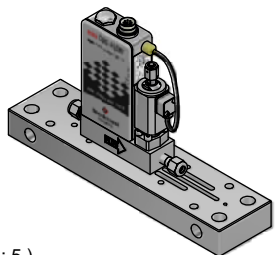
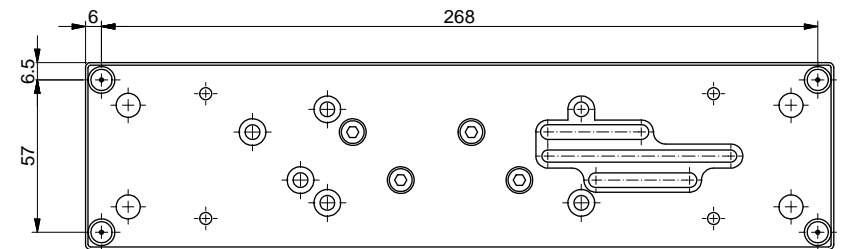
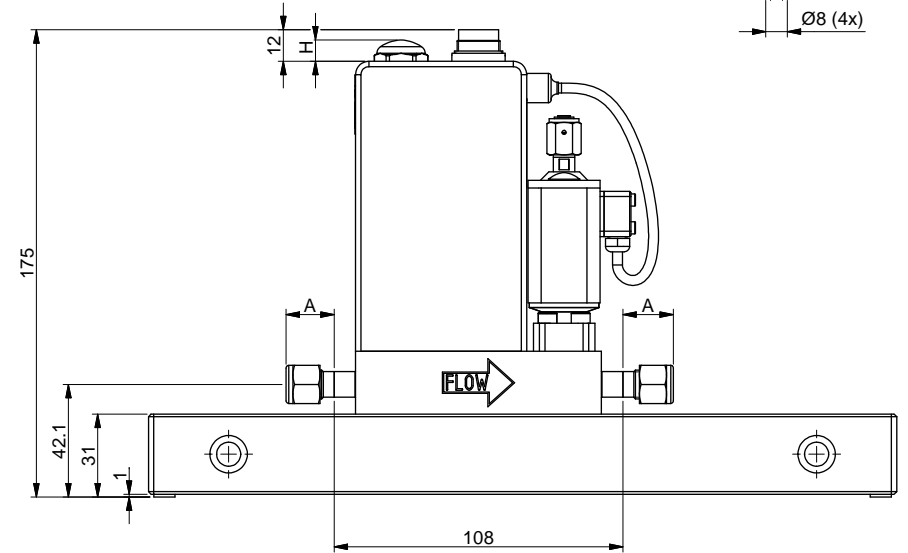
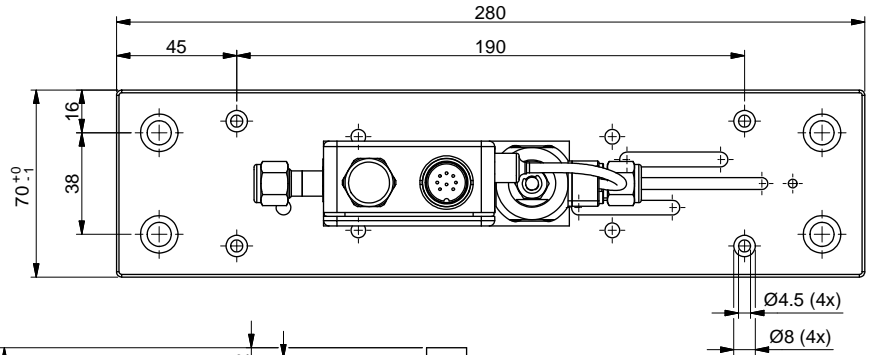
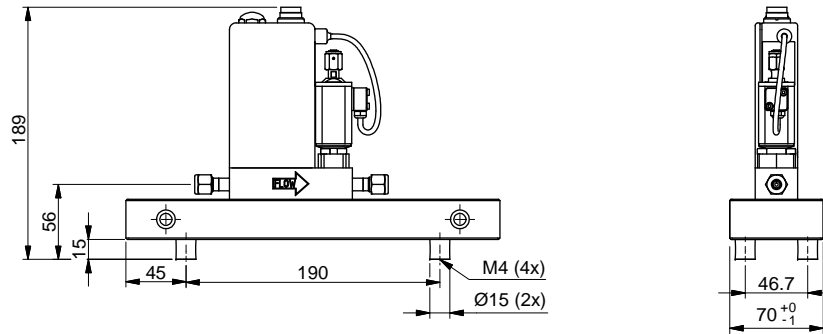
**Option 1:  
Mass block with large dampers (standard)**

(1 : 4)



**Option 2:  
Mass block with small dampers (optional)**

(1 : 4)





(1 : 5)

For bus applications height H=max. 18 mm.  
Please note that the height increases when a  
contra connector is used.

Check document 7.05.672 for dimension A.  
Dimensions subject to change without notice.

Tolerances ± 0.2 unless  
otherwise mentioned

Title: Dimensional drawing M1xV1xl weld on a 4 kg mass block		Drawer : M.H.	Revision Description: New drawing	
		Date: 23-01-2013	Checked :  Date: 23-01-2013 Rev. by: _____ Scale: 1:2 A3	
		Projection:  Third Angle Dimensions: Metric (mm)		