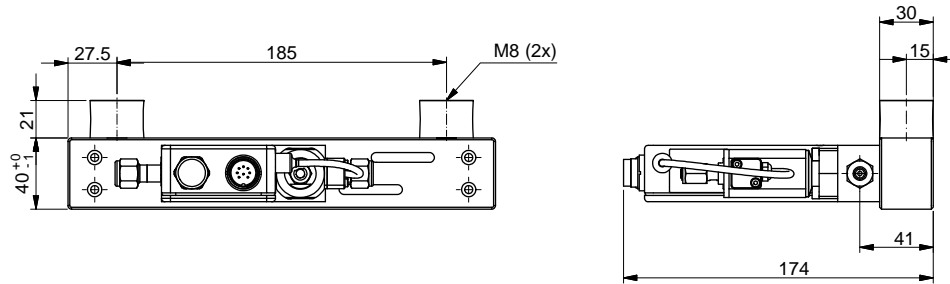


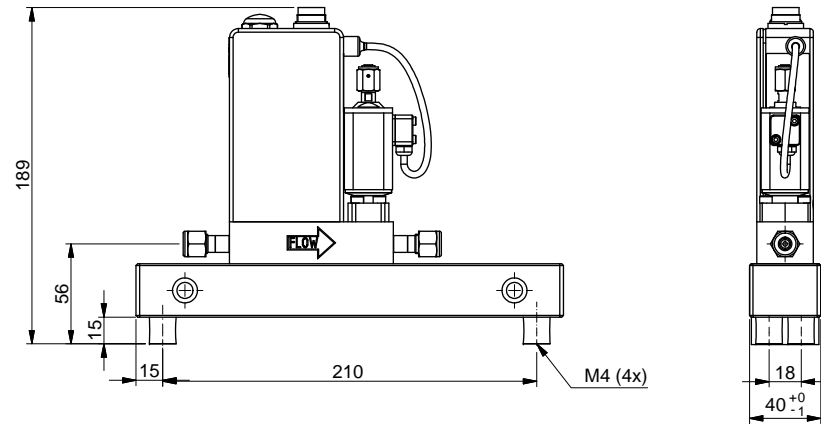
**Option 1:
Mass block with large dampners for wall mounting**

(1 : 3)

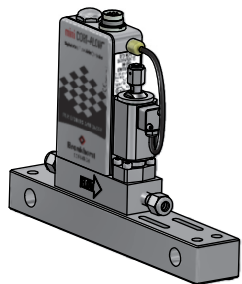


**Option 2:
Mass block with small dampners**

(1 : 3)



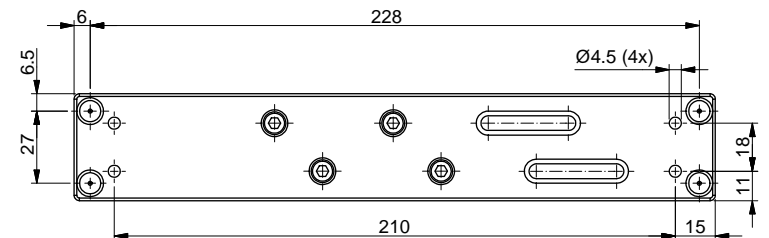
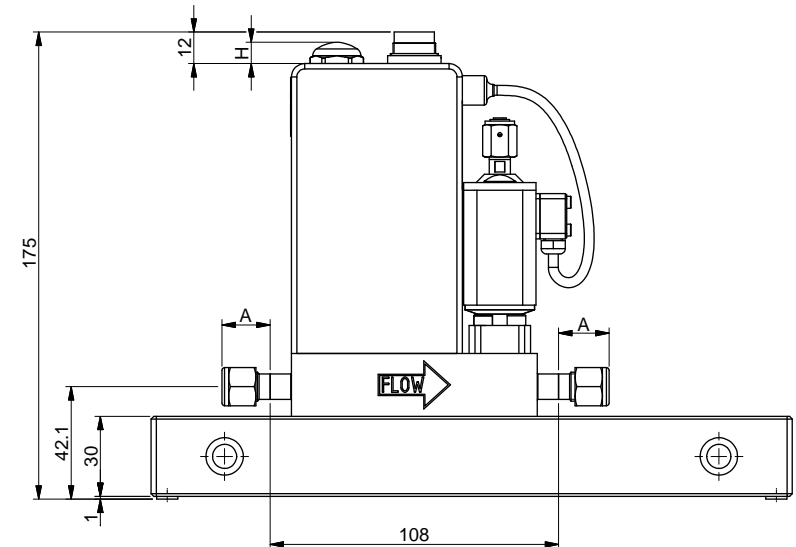
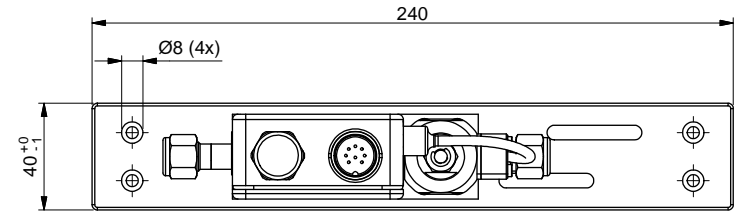
(1 : 4)


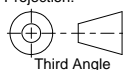


For bus applications height H=max. 18 mm.
Please note that the height increases when a
contra connector is used.

Check document 7.05.672 for dimension A.
Dimensions subject to change without notice.

Tolerances ± 0.2 unless
otherwise mentioned



Title: Dimensional drawing M1xV1xl weld on a 2 kg mass block		Drawer : M.H.	Revision Description: New drawing	
		Date: 23-01-2013	Checked : Date: 23-01-2013 Rev. by: _____ Scale: 1:2 A3	
		Projection:  Third Angle Dimensions: Metric (mm)		