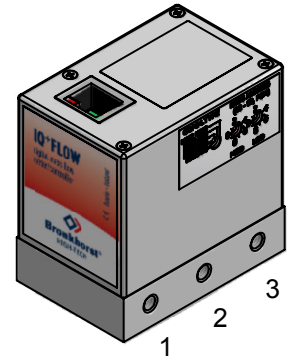
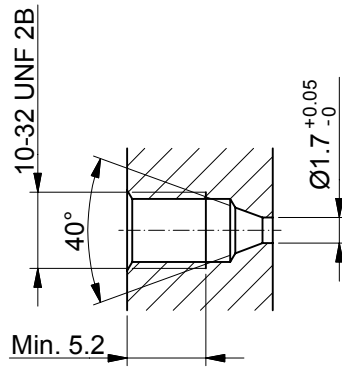
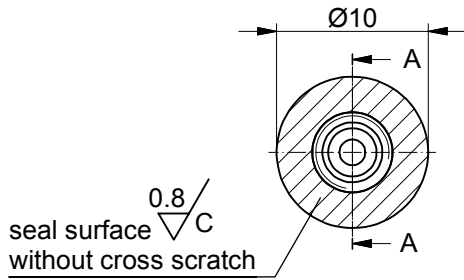
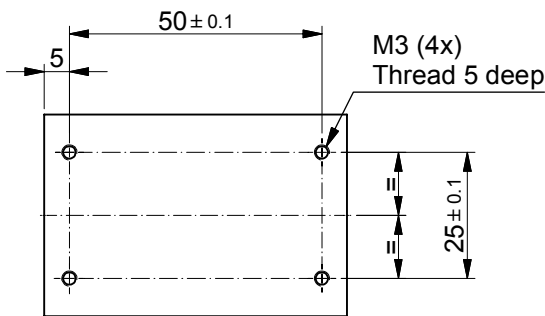
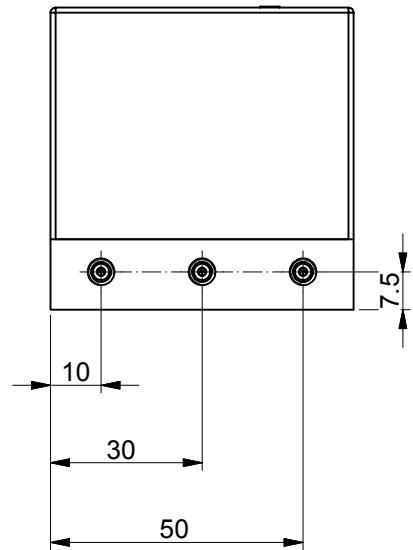
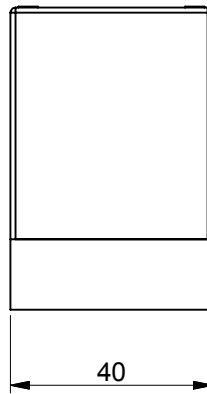
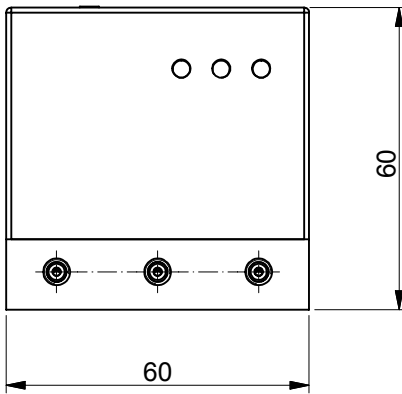


In- and outlet connections (2 : 1)



(1 : 2)



For all series:

When using adapters
total length = 40 + (2 x A)

*) Dimension A is typical
finger-tight.

Adapter 1/16"	Adapter 1/16"	Adapter 1/8"
A* = 8	A* = 16.5	A* = 21

Dimensions subject to change without notice.

Tolerances ± 0.2 unless
otherwise mentioned

Title: Dimensional drawing IQM3		Drawer : R.G. Date: 26-05-2009	Revision Description: Position stickers changed.	
 WWW.BRONKHORST.COM	Projection: Third Angle 	Checked : K.B. Date: 26-11-2012	Rev. by: M.H.	Scale: 2:3
	Dimensions: Metric (mm)	Drawing no.: 7.05.760	Rev.: D	A4 Page: 1-1