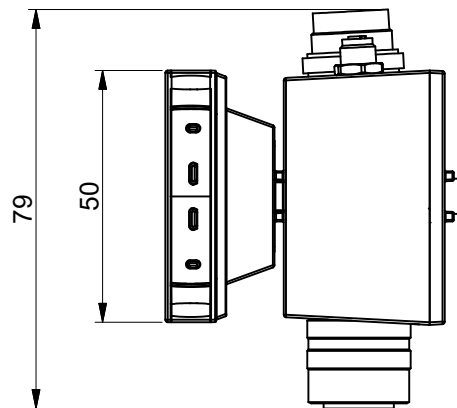
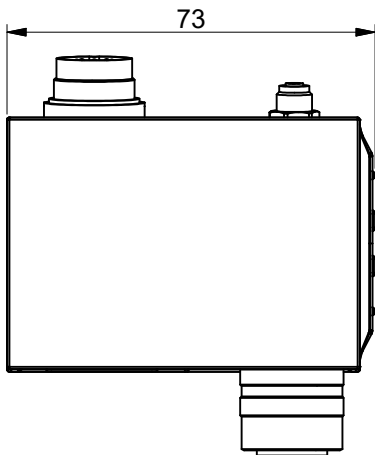
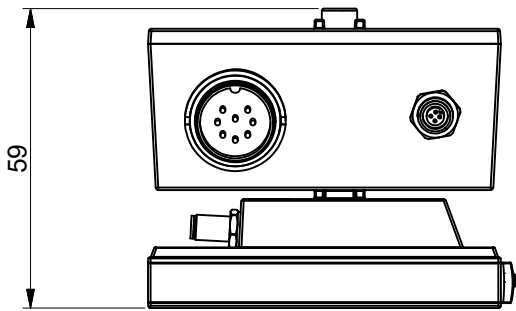
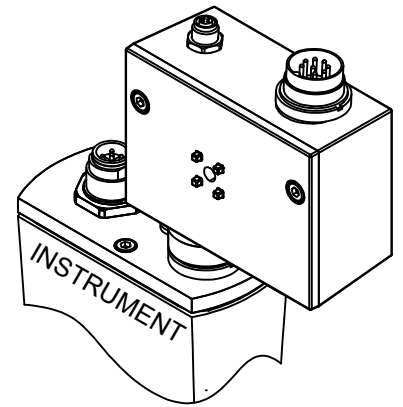
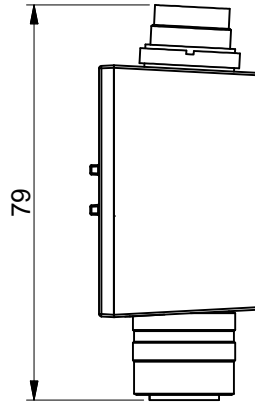
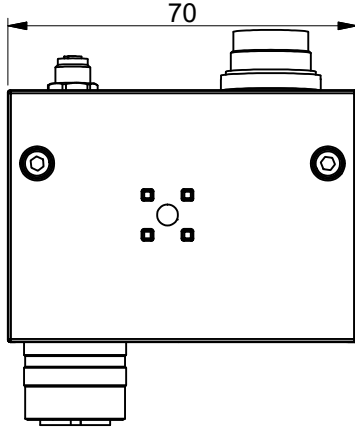
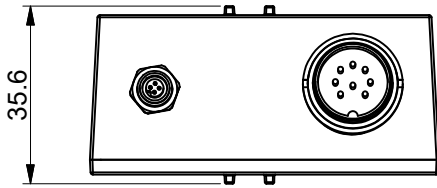

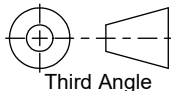


Instrument mounting

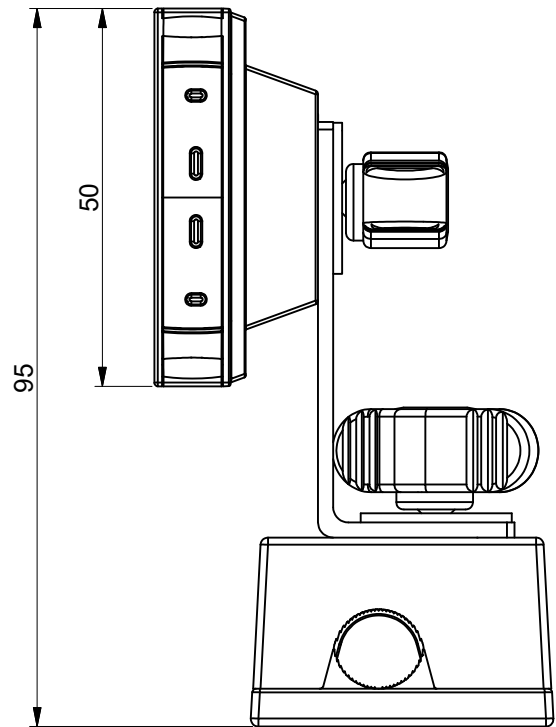
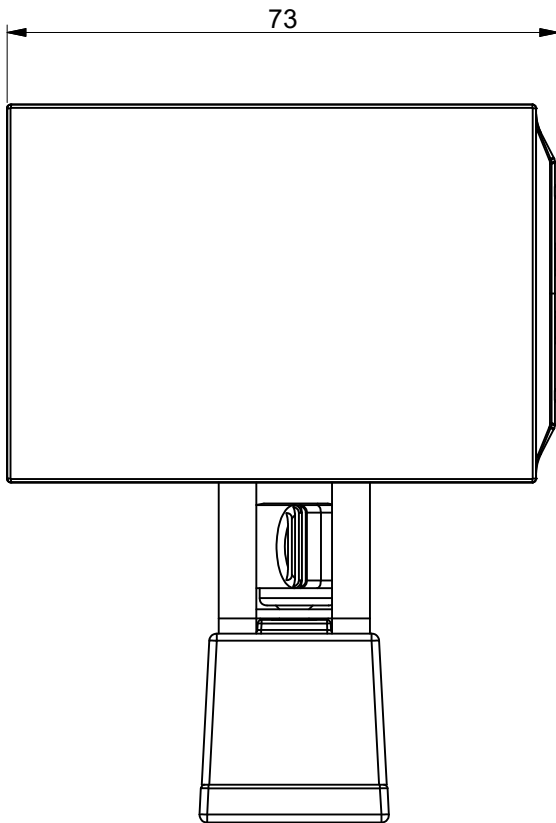
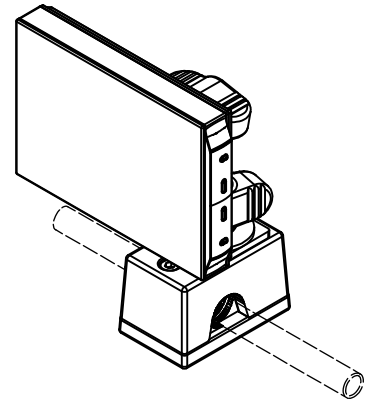
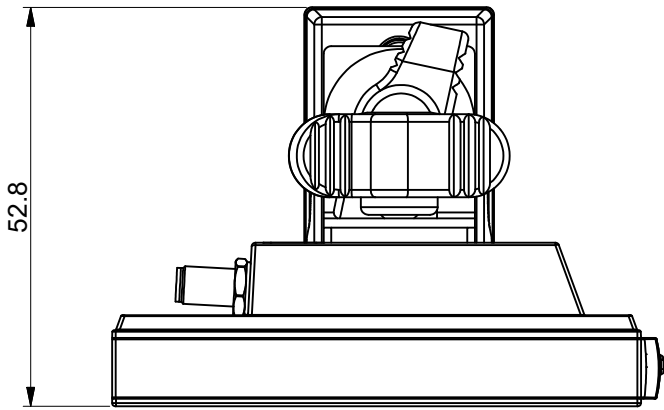


Dimensions subject to change without notice.

Tolerances ± 0.2 unless otherwise mentioned

Title: Dimensional drawing BRIGHT B4 R/C IP65 + mounting kits		Drawer : J.H. Date: 27-03-2007	Revision Description: Rebranding Bronkhorst.		
 WWW.BRONKHORST.COM	Projection:  Third Angle	Checked : J.E. Date: 13-12-2016	Rev. by: M.H.	Scale: 2:3	A4
	Dimensions: Metric (mm)	Drawing no.: 7.05.678	Rev.: D	Page: 1-2	


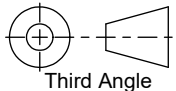
Pipe mounting



BRIGHT on mounting clip assy
Various positions of the BRIGHT module are possible

Tolerances ± 0.2 unless otherwise mentioned

Dimensions subject to change without notice.

Title: Dimensional drawing BRIGHT B4 R/C IP65 + mounting kits		Drawer : J.H.	Revision Description: Rebranding Bronkhorst.	
		Date: 27-03-2007		
		Checked : J.E.		
		Date: 13-12-2016	Rev. by: M.H.	Scale: 1:1
		Drawing no.: 7.05.678	Rev.: D	A4
 WWW.BRONKHORST.COM		Projection:  Third Angle	Dimensions: Metric (mm)	
			Page: 2-2	