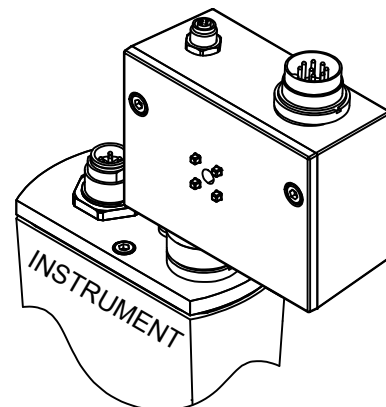
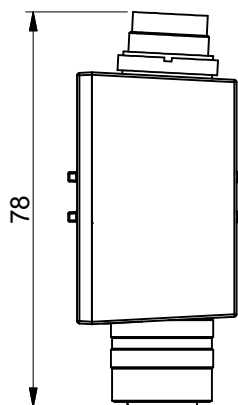
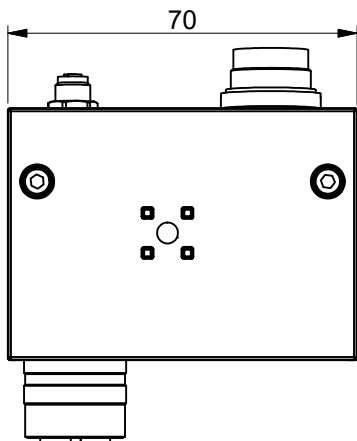
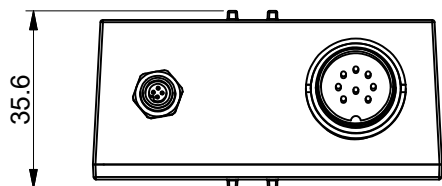
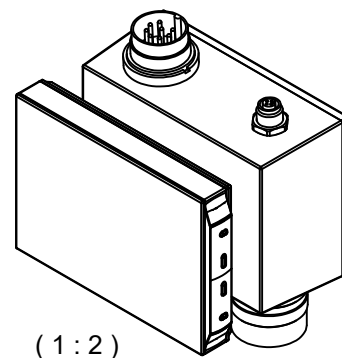
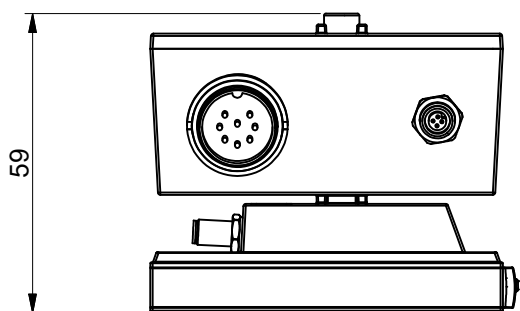


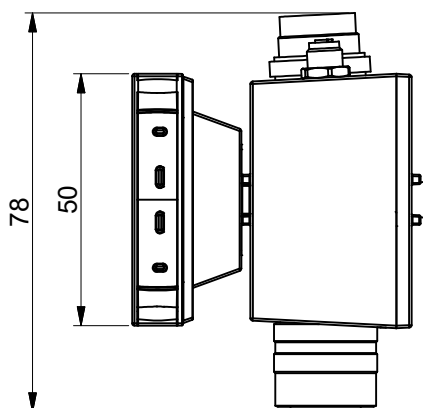
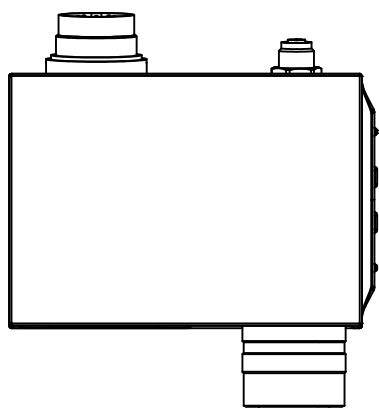
Instrument mounting



NOTE:
When using the mounting clip various positions of the BRIGHT module are possible.
See manual BRIGHT.


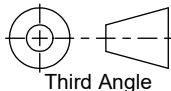


(1 : 2)



Tolerances ± 0.2 unless otherwise mentioned

Dimensions subject to change without notice.

Title: Dimensional drawing BRIGHT B3 R/C IP65		Drawer : J.H. Date: 26-03-2007	Revision Description: Rebranding Bronkhorst.	
 WWW.BRONKHORST.COM	Projection:  Third Angle	Checked : J.E. Date: 13-12-2016	Rev. by: M.H.	Scale: 2:3
	Dimensions: Metric (mm)	Drawing no.: 7.05.677	Rev.: E	A4 Page: 1-1