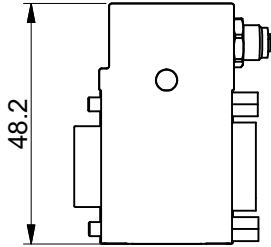
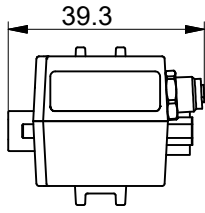
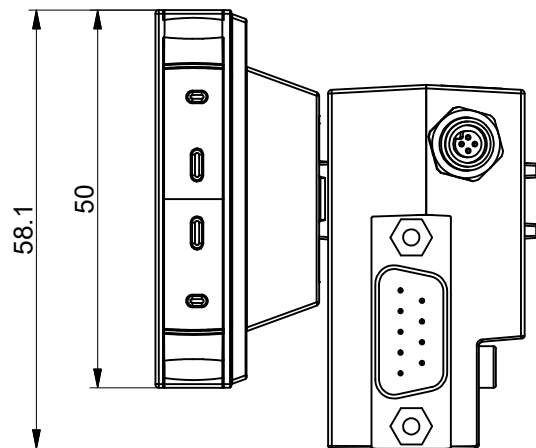
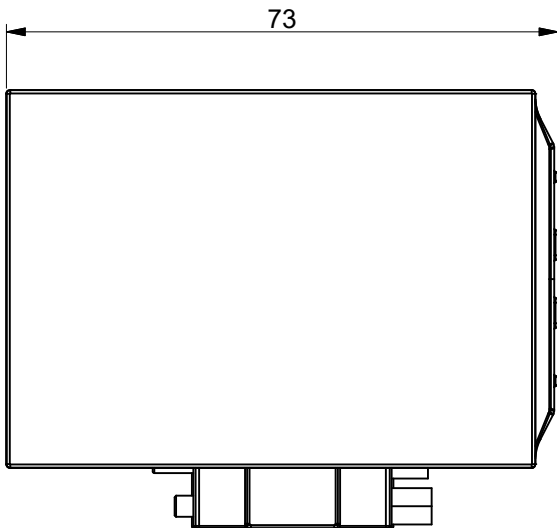
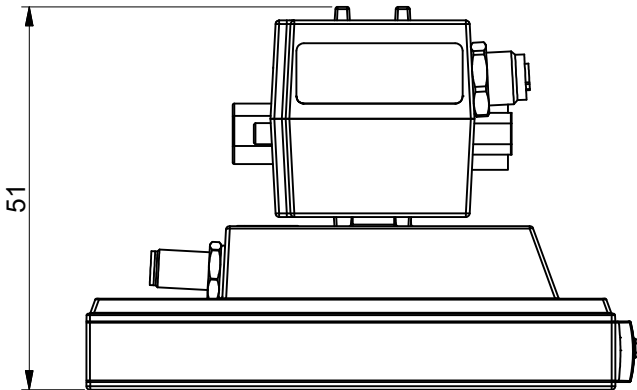
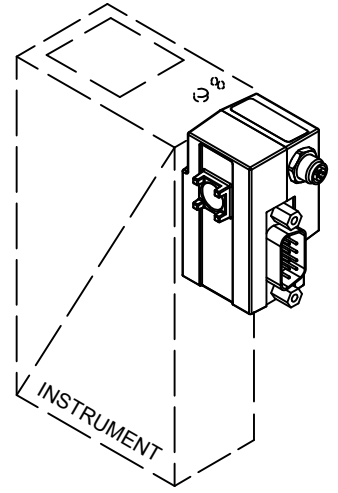
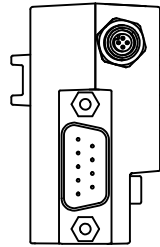


Instrument mounting.


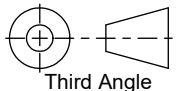


(2:3)

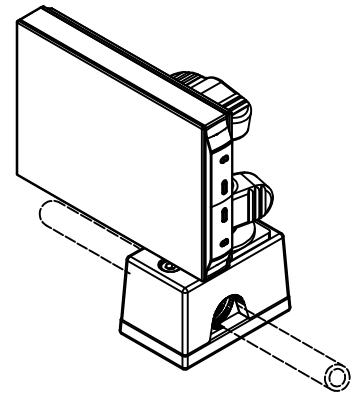
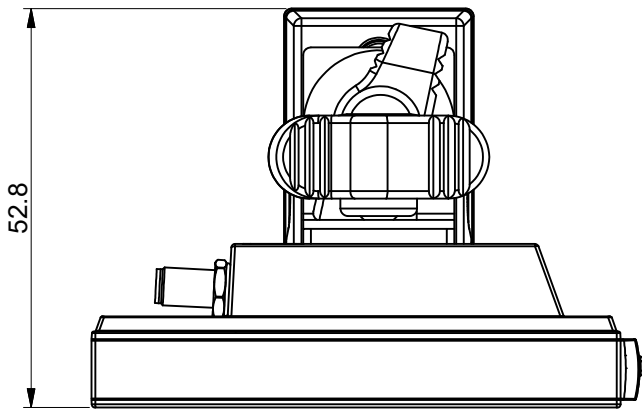


Tolerances ± 0.2 unless otherwise mentioned

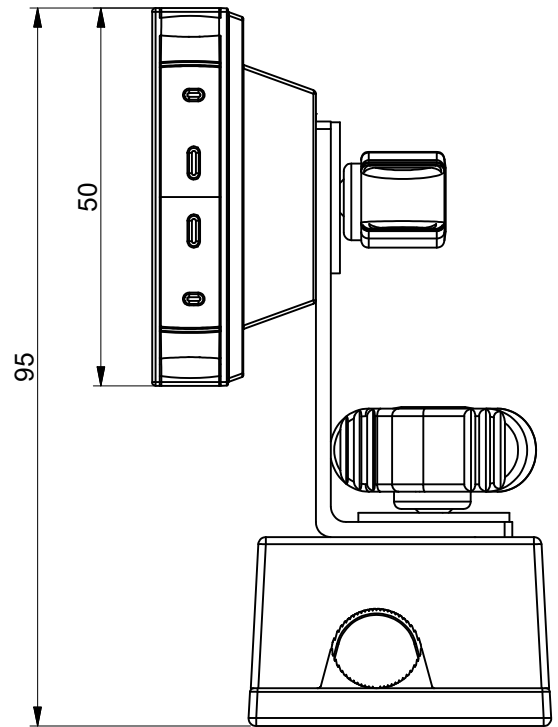
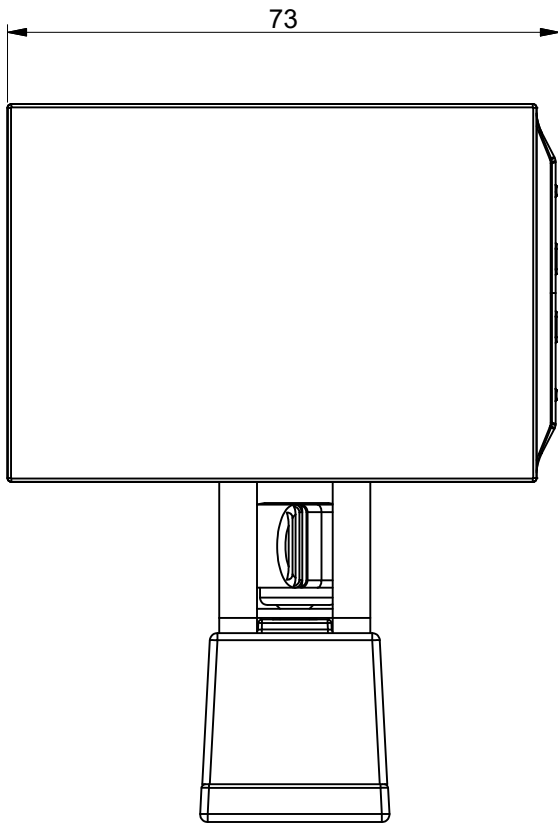
Dimensions subject to change without notice.

Title: Dimensional drawing BRIGHT B2 R/C IP40 + mounting kits		Drawer : J.H. Date: 27-03-2007	Revision Description: Rebranding Bronkhorst.		
 WWW.BRONKHORST.COM	Projection:  Third Angle	Checked : J.E. Date: 13-12-2016	Rev. by: M.H.	Scale: 1:1	A4
	Dimensions: Metric (mm)	Drawing no.: 7.05.676	Rev.: D	Page: 1-2	

Pipe mounting.




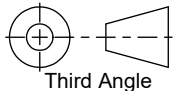
(1:2)



BRIGHT on mounting clip assy
Various positions of the BRIGHT module are possible

Tolerances ± 0.2 unless otherwise mentioned

Dimensions subject to change without notice.

Title: Dimensional drawing BRIGHT B2 R/C IP40 + mounting kits		Drawer : J.H.	Revision Description: Rebranding Bronkhorst.		
		Date: 27-03-2007			
		Checked : J.E.			
		Date: 13-12-2016	Rev. by: M.H.	Scale: 1:1	A4
 WWW.BRONKHORST.COM		Projection:  Third Angle Dimensions: Metric (mm)	Drawing no.: 7.05.676		Rev.: D Page: 2-2