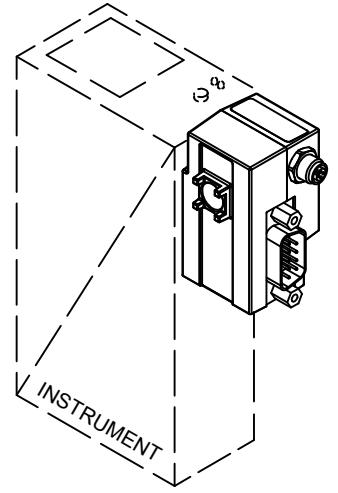
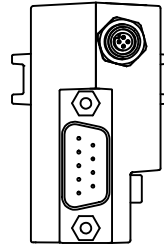
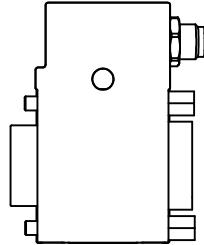
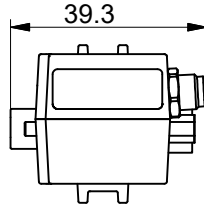
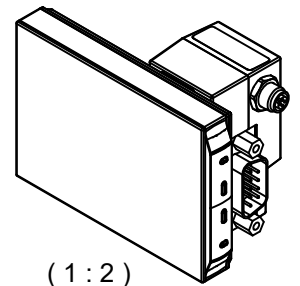
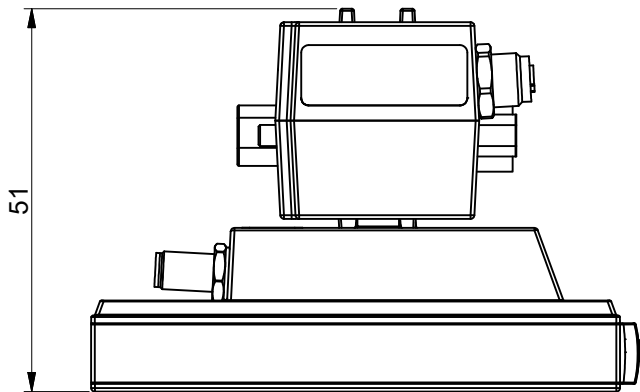


Instrument mounting.

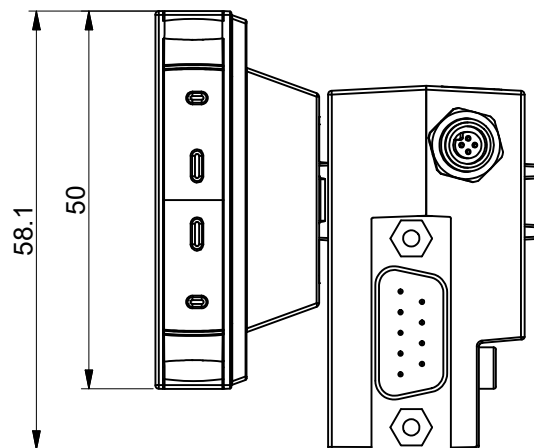
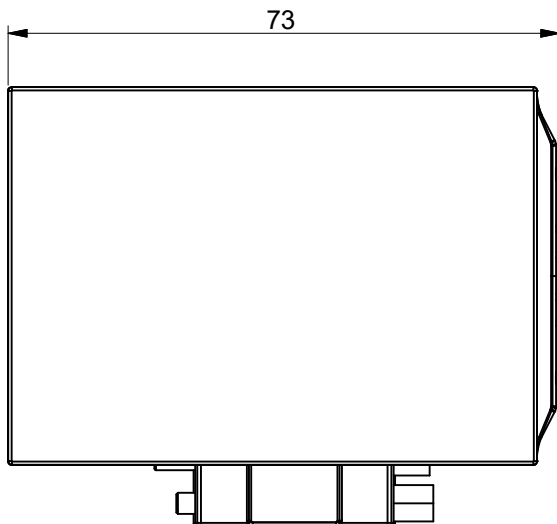


(2 : 3)

NOTE:
When using the mounting clip various positions of the BRIGHT module are possible.
See manual BRIGHT.




(1 : 2)



Tolerances ± 0.2 unless otherwise mentioned

Dimensions subject to change without notice.

Title: Dimensional drawing BRIGHT B1 R/C IP40		Drawer : J.H. Date: 22-03-2007	Revision Description: Rebranding Bronkhorst.		
 WWW.BRONKHORST.COM	Projection:  Third Angle	Checked : J.E. Date: 13-12-2016	Rev. by: M.H.	Scale: 1:1	A4
	Dimensions: Metric (mm)	Drawing no.: 7.05.675	Rev.: C	Page: 1-1	