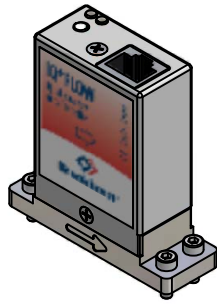
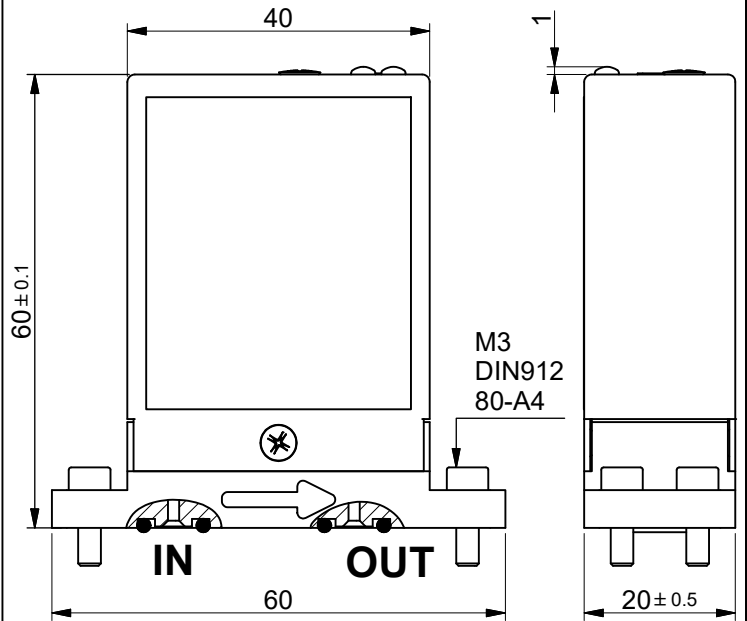
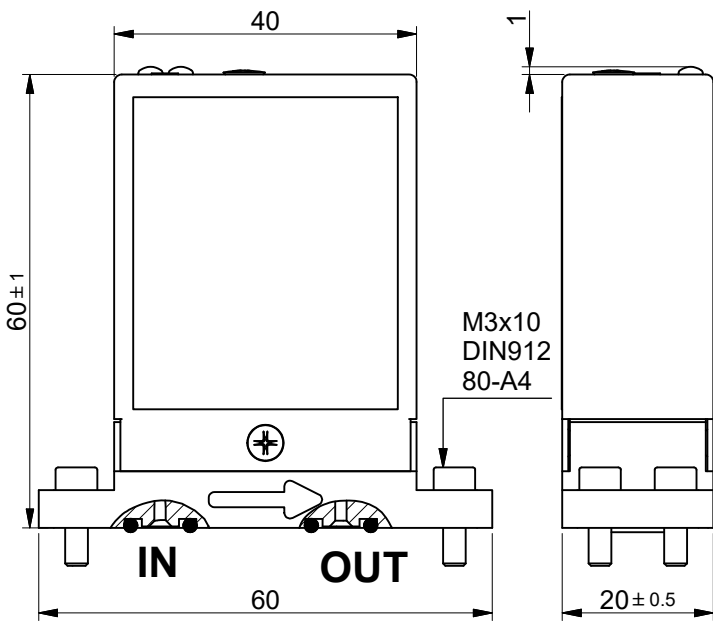
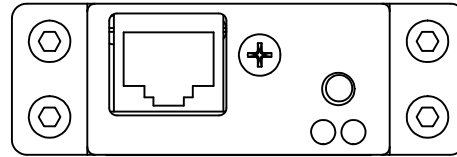
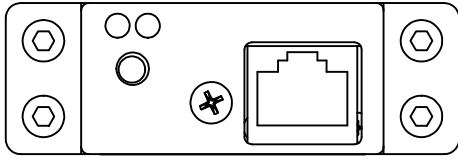
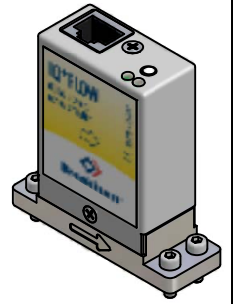


**IQFD 100 / 200 serie**  
**IQPD 500 / 700 serie**



**IQPD 600 serie**



**For all series:**

Base body material	L length screw	X thread depth
Stainless Steel (recommended)	10	5.5
Aluminium	12	7.5

Screws M3x10 will be delivered with the instrument (for use in a stainless steel base body).

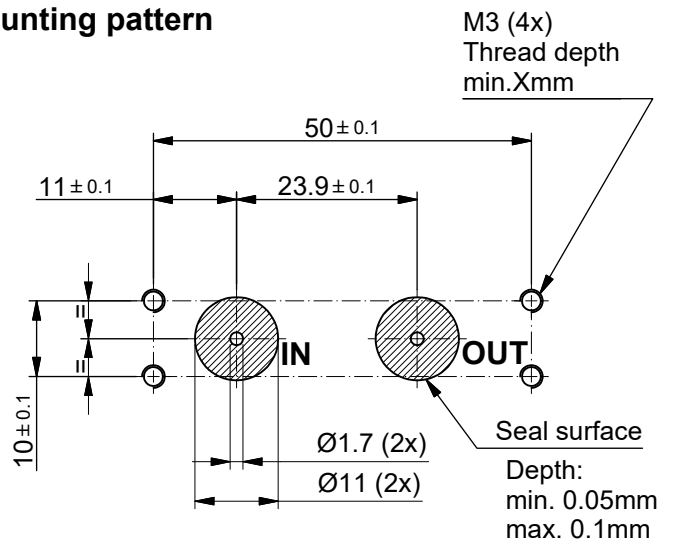
Viton O-rings AS010 will be delivered with the instrument.

Dimensions subject to change without notice.

Seal surface  $\frac{0.8}{C}$   
without cross scratch

Tolerances  $\pm 0.2\text{mm}$  unless otherwise mentioned

**Mounting pattern**



Title: **Dimensional drawing IQ+ Flow down ported**

Drawer : M.B.  
Date: 05-07-2007

Revision Description:  
Rebranding Bronkhorst.



Projection:  
Third Angle  
Dimensions:  
Metric (mm)

Checked : J.E.  
Date: 22-11-2016  
Drawing no.: 7.05.656

Rev. by: R.Ge. Scale: 1:1 A4  
Rev.: E Page: 1-1