
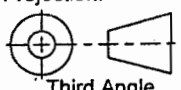
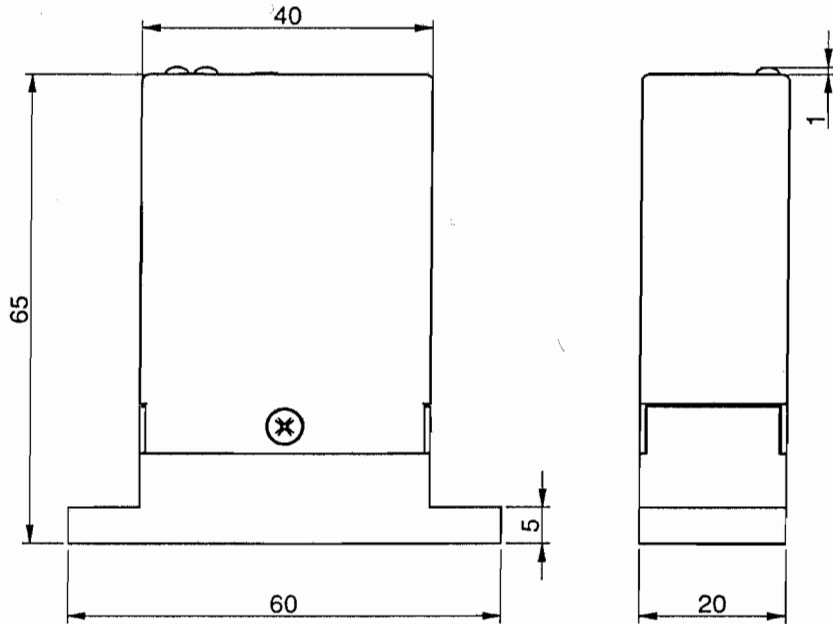
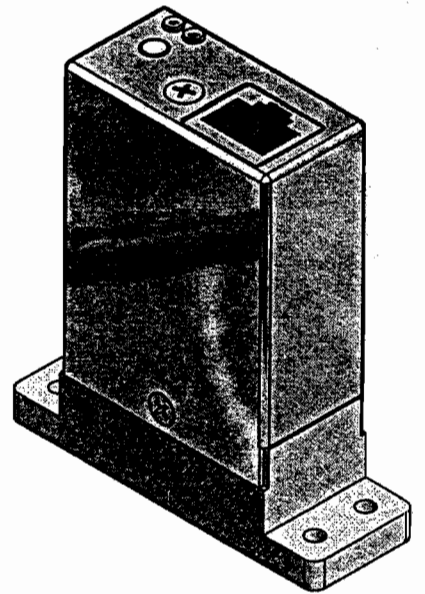
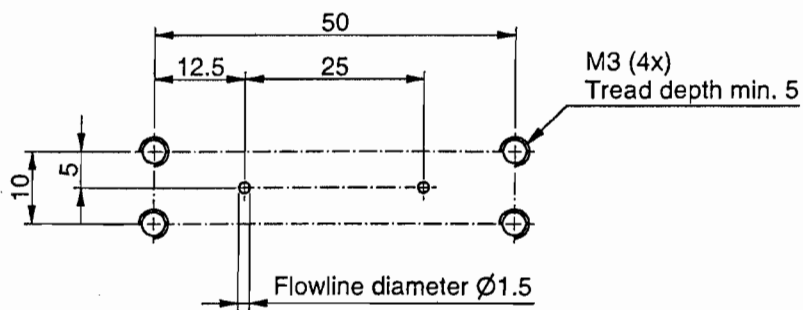


Title: <b>Dim Draw IQ+ Flow</b>		Drawer :E.M.	Revision Description: B: Inventor tekening gemaakt (EM)		
		Date:28-12-2004			
	Projection:  Third Angle	Checked :			
	Dimensions: Metric (mm)	Date:	Rev. by:	Scale:1:1	A4
Nijverheidsstraat 1A - 7261 AK Ruurlo (NL)		Drawing no.: 7.05.545	Rev.:B	Page: 1 - 1	

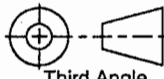


**Mounting pattern**

For sealing between MFC and custom base body:  
O-ring sizing from AS006 upto AS013



Seal surface  
without cross scratch  $0.8/C$

<p>Title: Dimensional drawing down ported IQ+ FLOW MFC</p>		<p>Drawer :J.H. Date:15-02-2005</p>	<p>Revision Description: PRELIMINARY Name changed and sealing options added.</p>			
<p><b>BRONKHORST</b> <b>HI-TEC</b> Nijverheidsstraat 1A - 7261 AK Ruurlo (NL)</p>	<p>Projection:  Third Angle Dimensions: Metric (mm)</p>		<p>Checked : Date:08-07-2005 Drawing no.: 705627</p>	<p>Rev. by: E.M.</p>	<p>Scale: 1:1</p>	<p>A4 Page: 1 - 1</p>