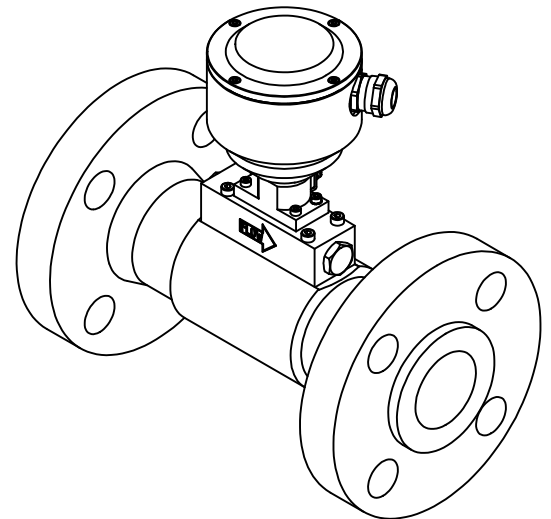


Exchangeable with:
 American standard: ASME B16.5-1998
 Flange type: welding neck
 End flange facing: 0.25 inch raised face
 600 LBS
 Material number: 1.4401


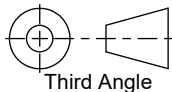
NPS = nominal pipe size
 V = internal volume [Litre]

Model	NPS	A	H	B	V [Litre]
F-117AX	1.5"	250	244	45.5	0.352
F-117BX	2"	250	255	57.5	0.571
F-117CX	3"	250	294	84	1.234
F-117DX	4"	250	344	108.5	2.105
F-117EX	6"				
F-117FX	8"				
F-117GX	10"				



Tolerances ±0.2 unless otherwise mentioned

Dimensions subject to change without notice.

Title: Dimensional Drawing F-117X ANSI 600LBS		Drawer : L.E.	Revision Description: Layout changed Added tolerances		
		Date: 22-05-2002			
		Checked :			
		Date:	Rev. by: R.Kn.	Scale: 1:2.5	A4
 WWW.BRONKHORST.COM		Projection:  Third Angle Dimensions: Metric (mm)	Drawing no.: 7.05.319		Rev.:
			Page: 1-2		